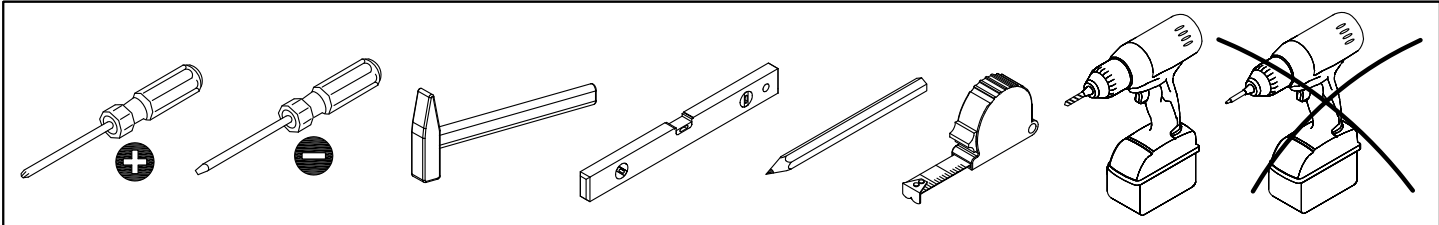
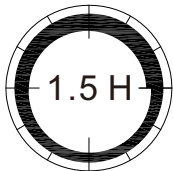
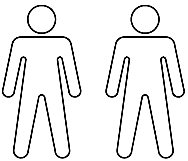
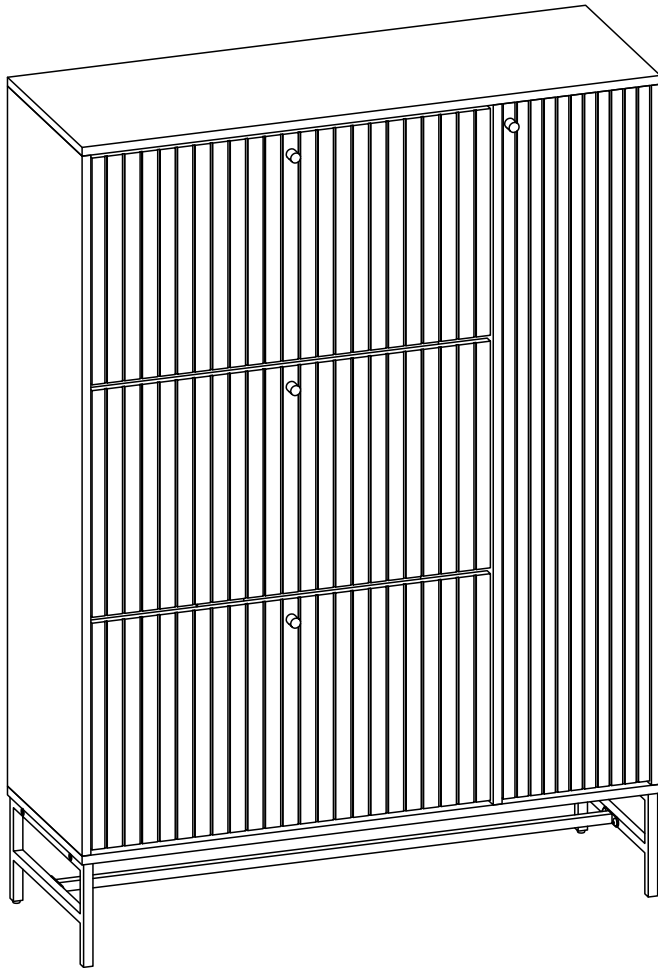
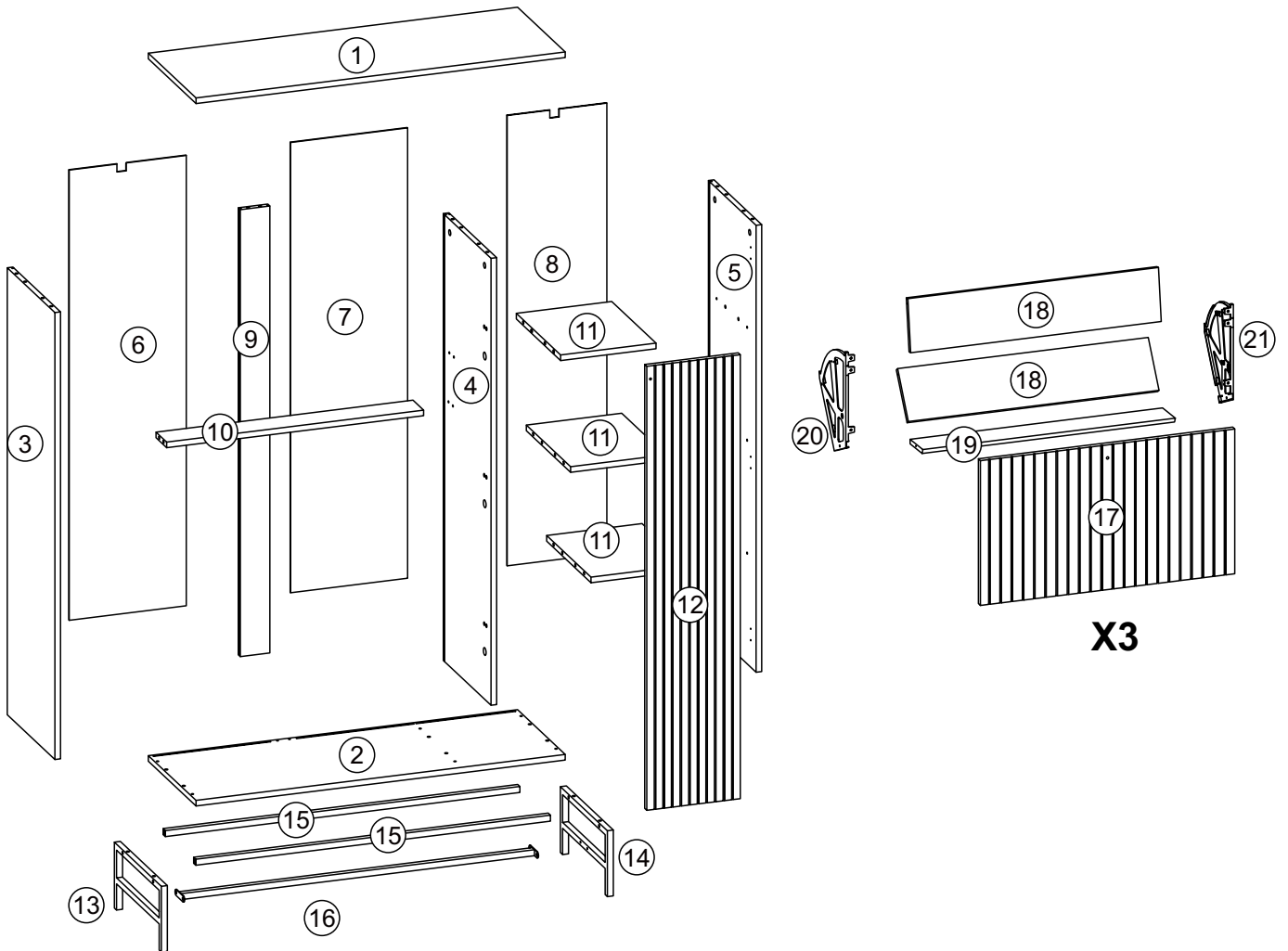


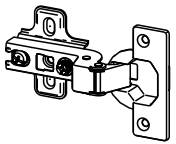

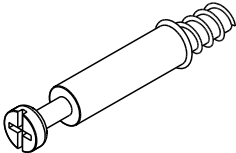
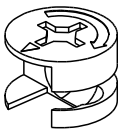
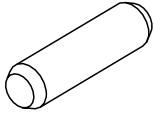
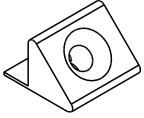

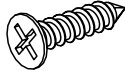
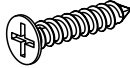
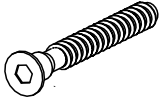
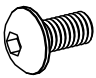
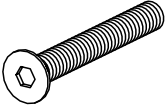
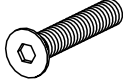
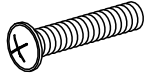
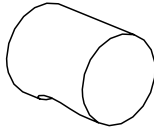
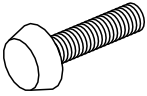
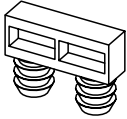


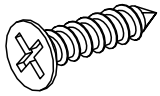

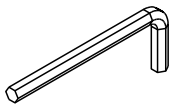
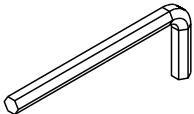
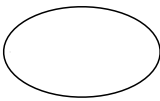
# ALBANY



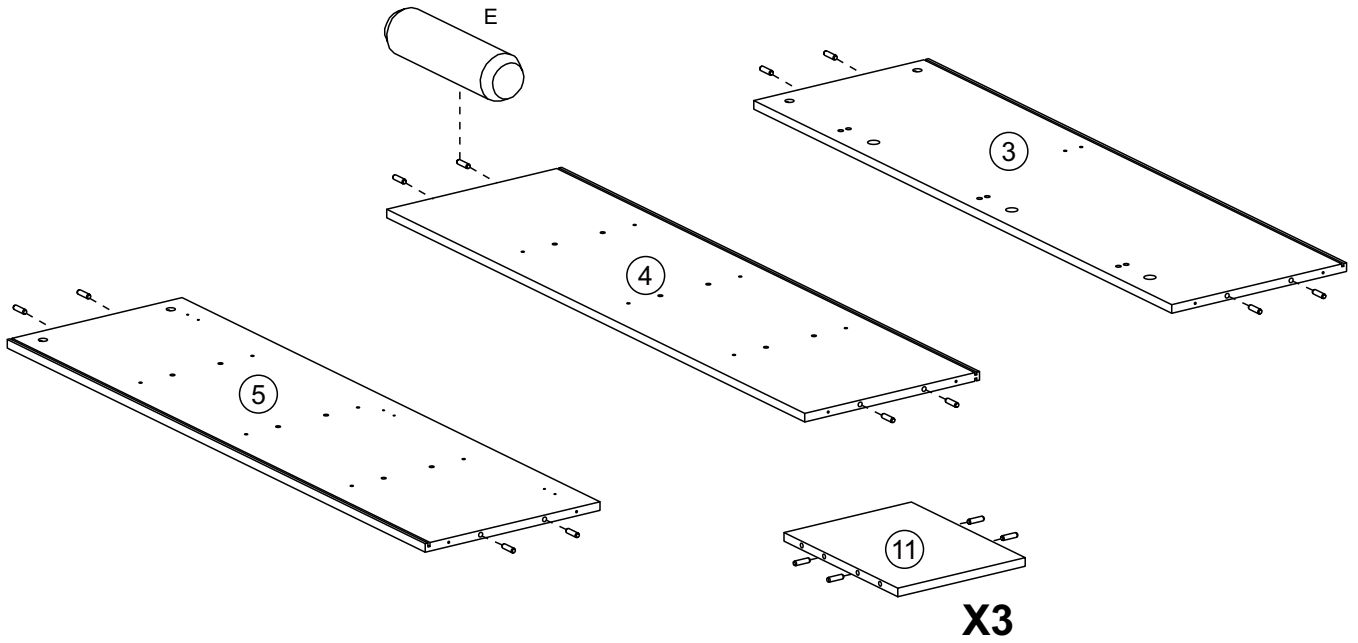
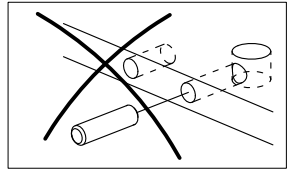
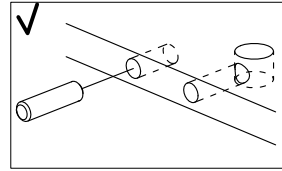
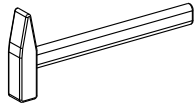
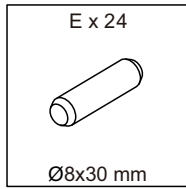
			✓
①	1	987x350x15mm	
②	1	987x350x15mm	
③	1	1194x349x15mm	
④	1	1194x349x15mm	
⑤	1	1194x349x15mm	
⑥	1	1204x311x4mm	
⑦	1	1204x311x4mm	
⑧	1	1204x265x4mm	
⑨	1	1194x79x15mm	
⑩	1	682x76x15mm	
⑪	3	310x256x15mm	

			✓
⑫	1	1180x250x16mm	
⑬	1	345x180x16mm	
⑭	1	345x180x16mm	
⑮	2	950x16x16mm	
⑯	1	948x70x16mm	
⑰	3	678x386x16mm	
⑱	6	674x144x12mm	
⑲	3	674x96x12mm	
⑳	3	294x198x23mm	
㉑	3	294x198x23mm	

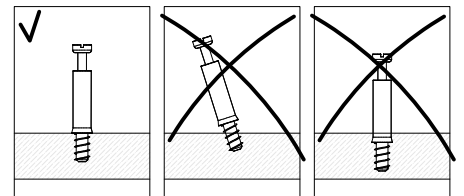
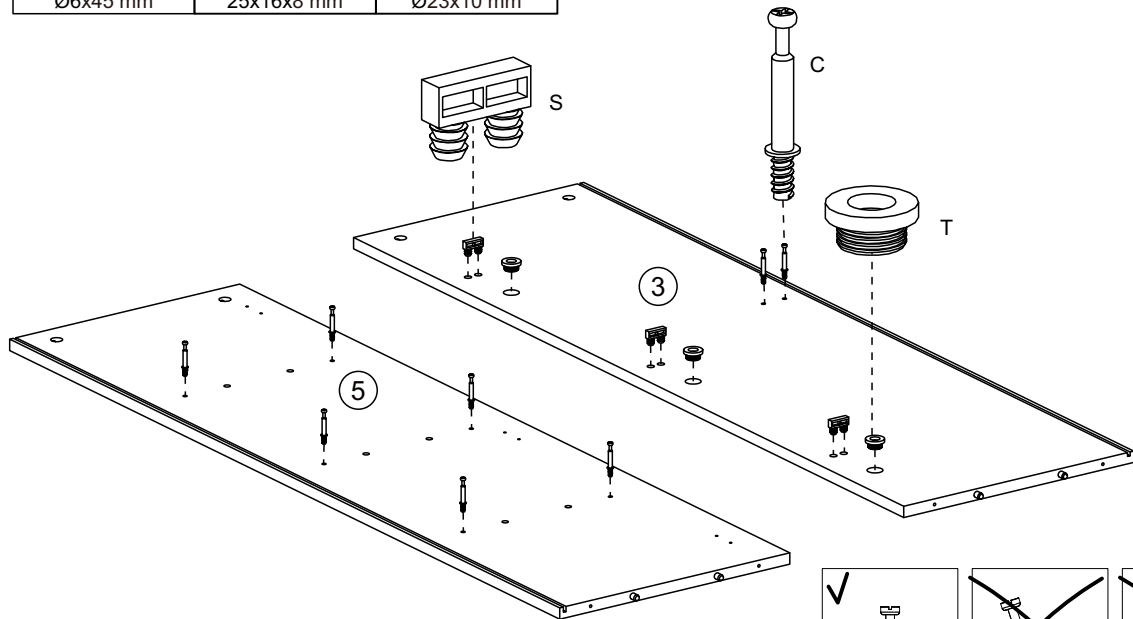
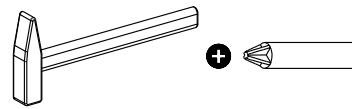
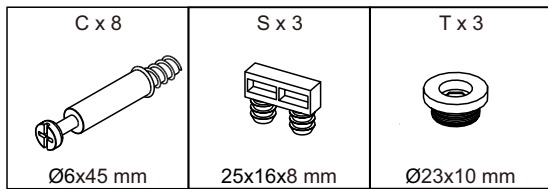


<p>A x 3</p>  <p>Ø35/FK17 mm</p>	<p>B x 2</p>  <p>75x25x15 mm</p>	<p>C x 24</p>  <p>Ø6x45 mm</p>	<p>D x 24</p>  <p>Ø15x12 mm</p>	<p>E x 24</p>  <p>Ø8x30 mm</p>
<p>F x 14</p>  <p>15x13x10 mm</p>	<p>G x 6</p>  <p>Ø4x14 mm</p>	<p>H x 36</p>  <p>Ø3.5x16 mm</p>	<p>J x 14</p>  <p>Ø3.5x20 mm</p>	<p>K x 8</p>  <p>Ø5x38 mm</p>
<p>L x 8</p>  <p>M6x12 mm</p>	<p>M x 4</p>  <p>M6x40 mm</p>	<p>N x 4</p>  <p>M6x28 mm</p>	<p>P x 4</p>  <p>M4x18 mm</p>	<p>Q x 4</p>  <p>Ø17x22 mm</p>
<p>R x 2</p>  <p>Ø13.5x25 mm</p>	<p>S x 6</p>  <p>25x16x8 mm</p>	<p>T x 6</p>  <p>Ø23x10 mm</p>	<p>U x 6</p>  <p>Ø17x12 mm</p>	<p>V x 12</p>  <p>Ø5x16 mm</p>
<p>W x 3</p>  <p>Ø10x2 mm</p>	<p>X x 1</p>  <p>3 mm</p>	<p>Y x 1</p>  <p>4 mm</p>	<p>Z x 6</p>  <p>Ø21 mm</p>	

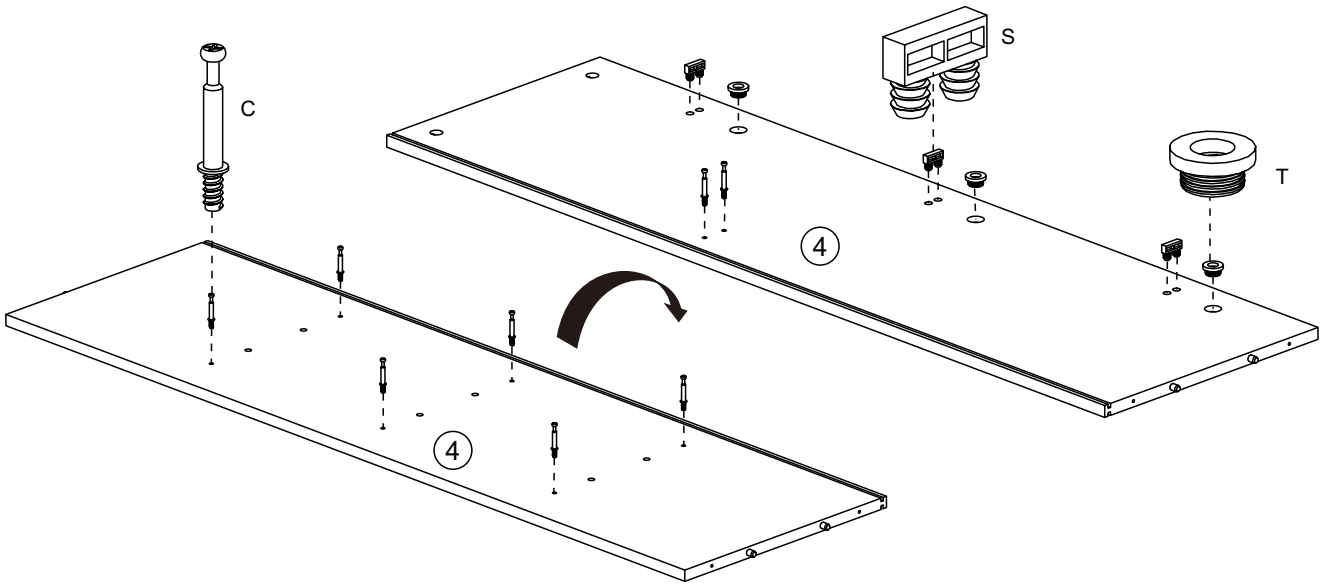
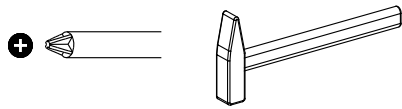
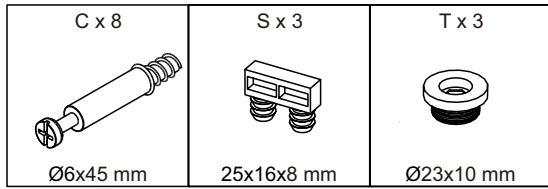
# 1



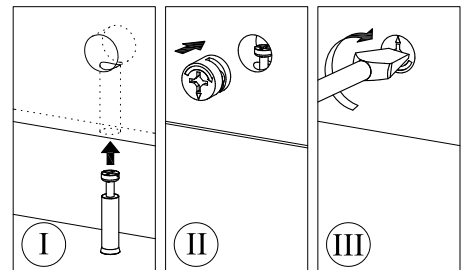
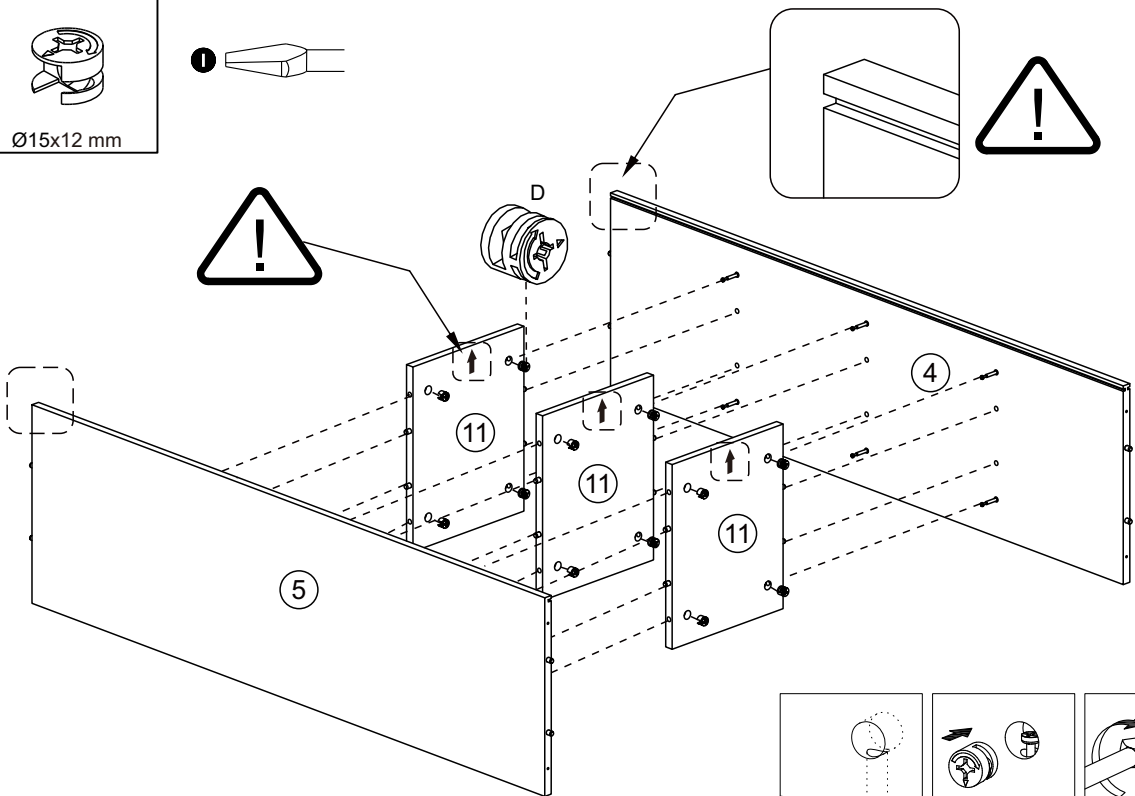
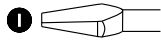
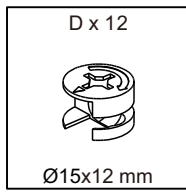
# 2



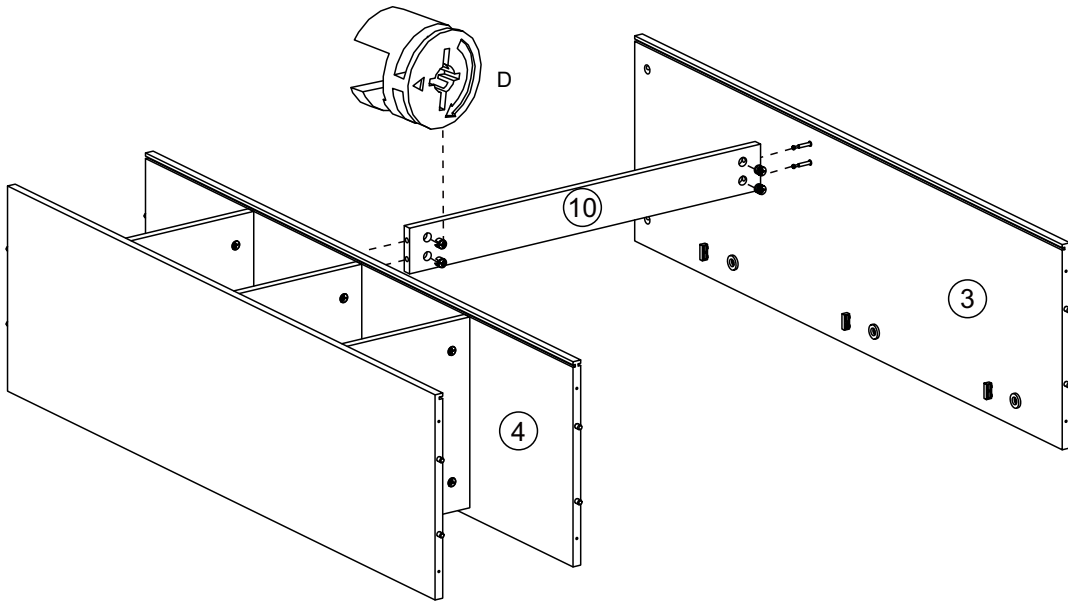
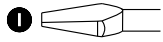
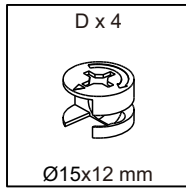
# 3



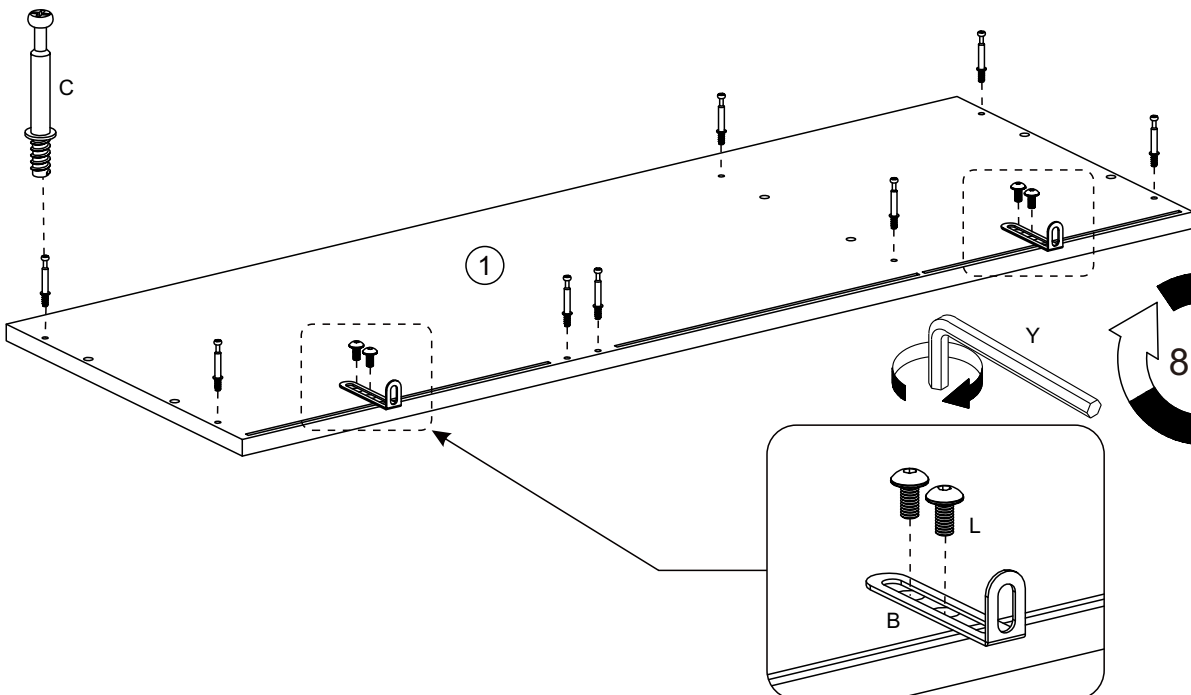
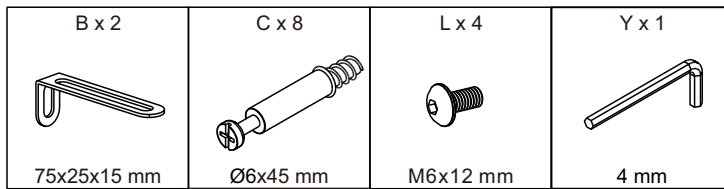
# 4



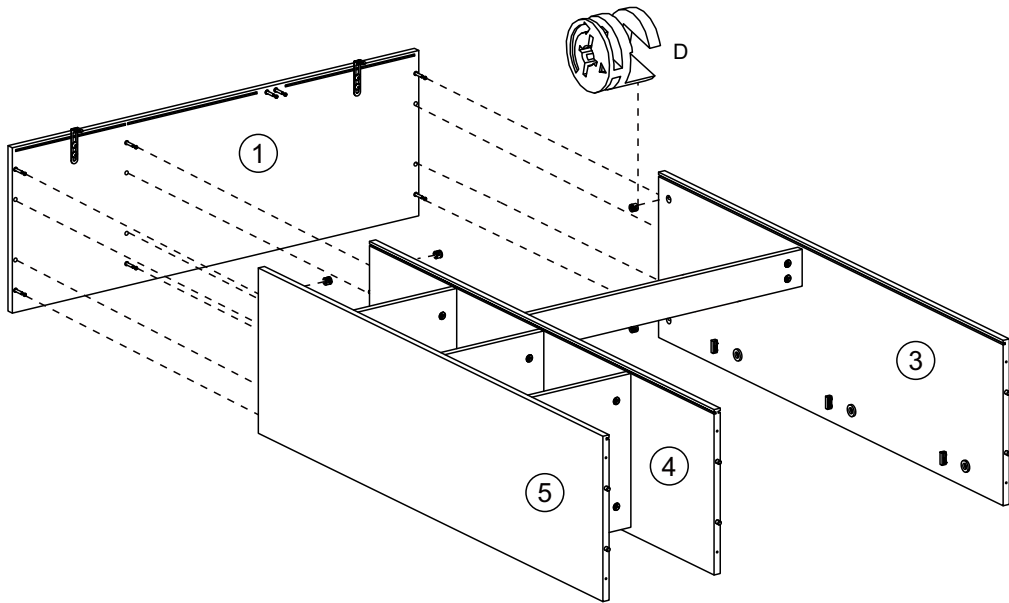
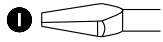
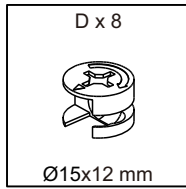
# 5



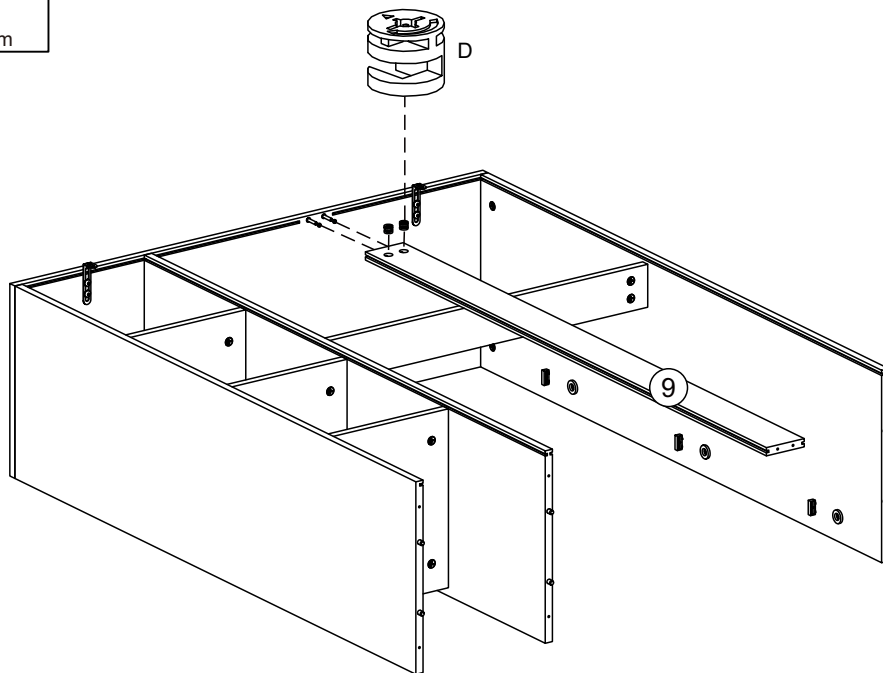
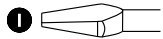
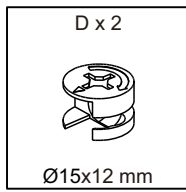
# 6



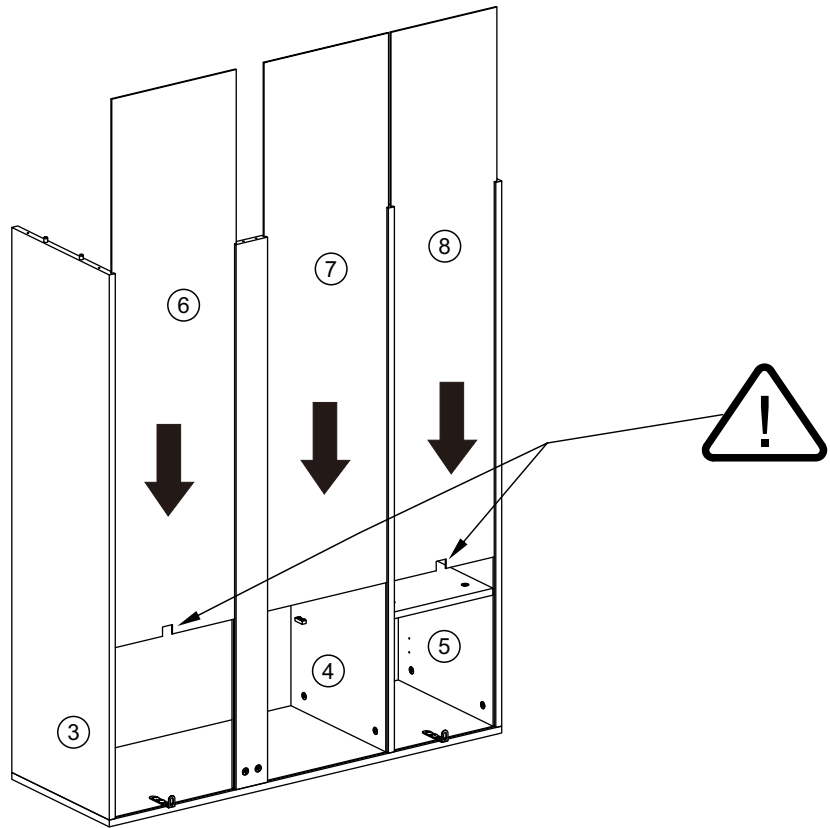
# 7



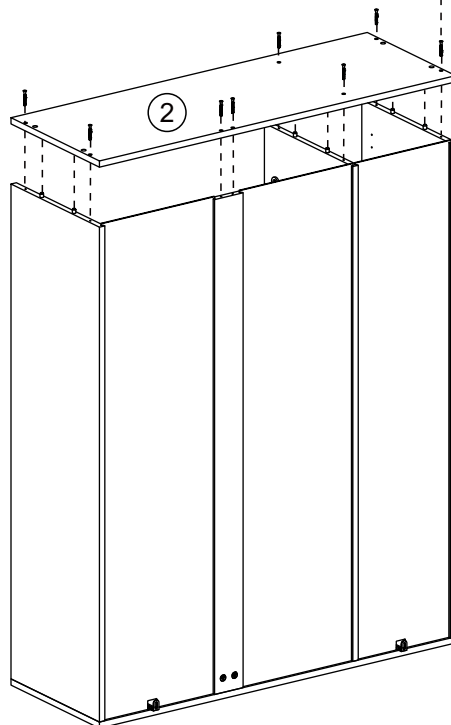
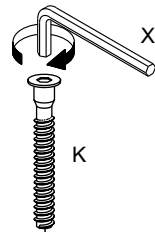
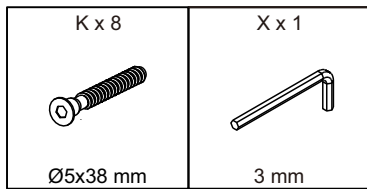
# 8



# 9

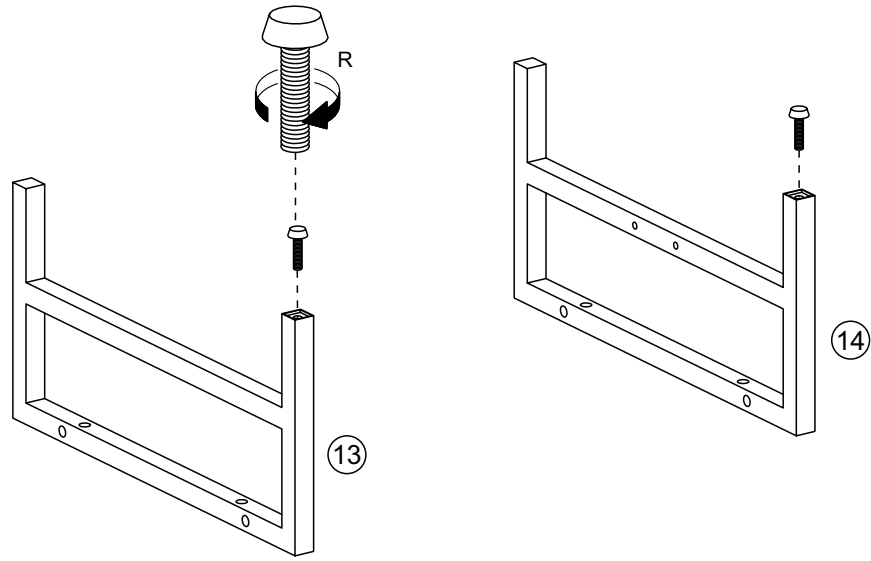
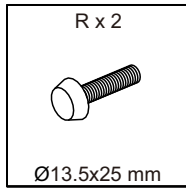


# 10

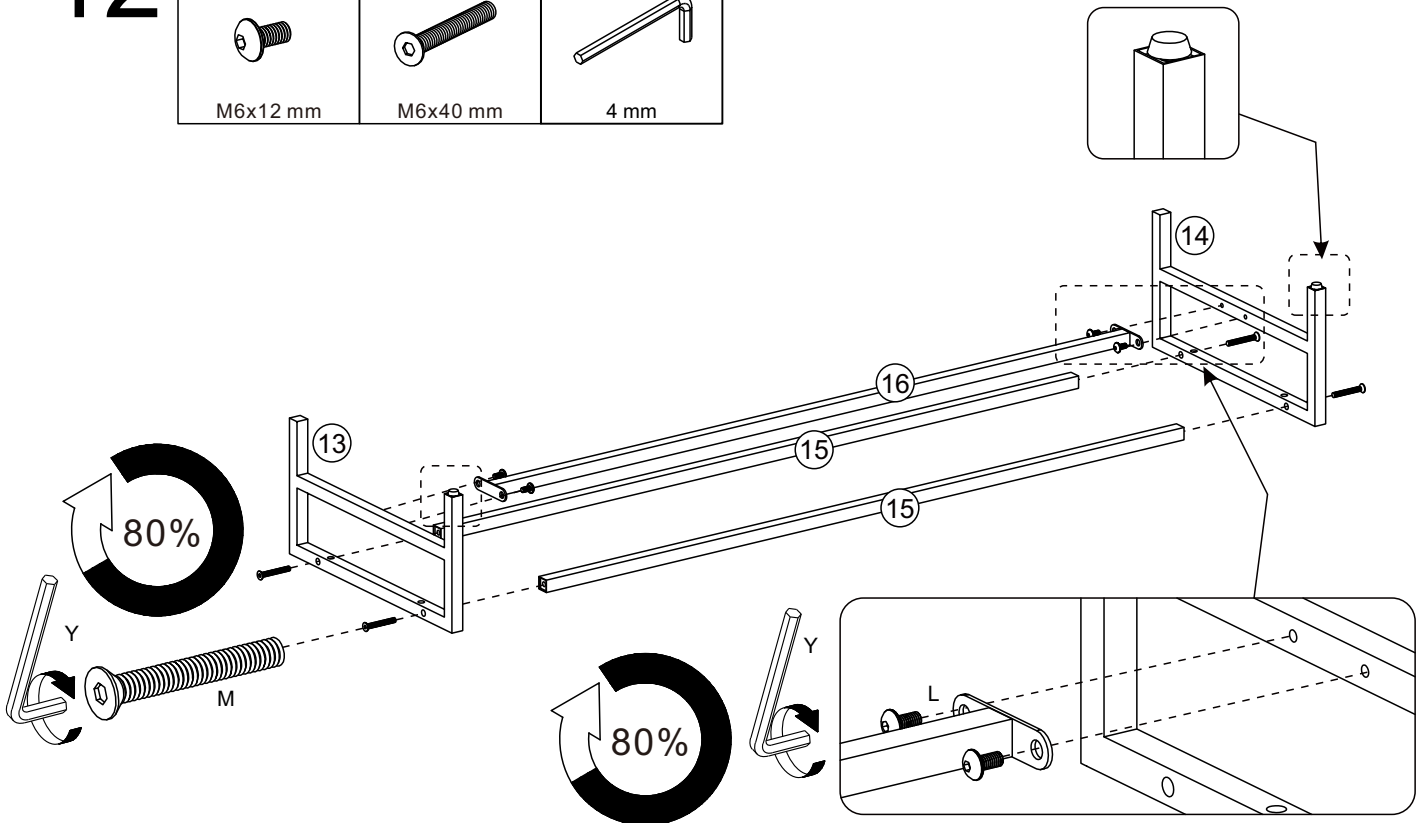
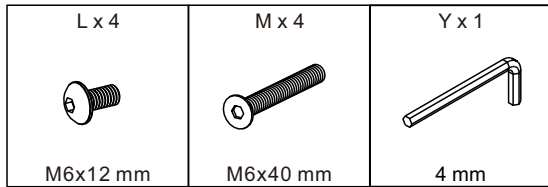




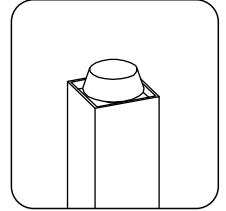
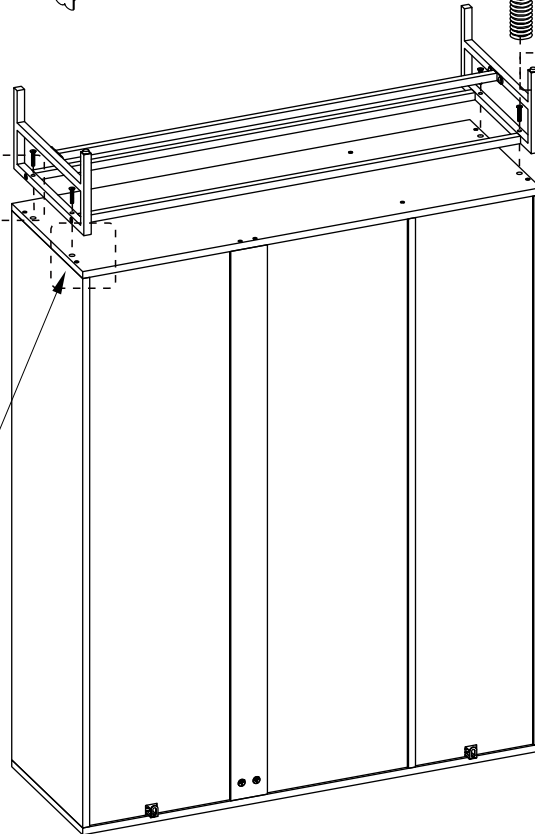
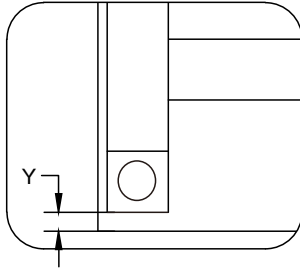
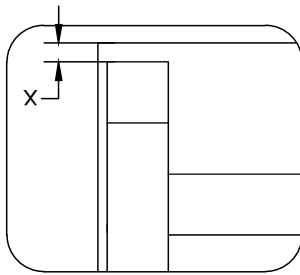
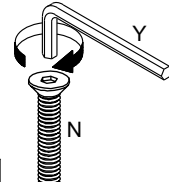
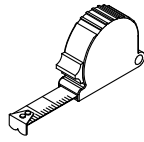
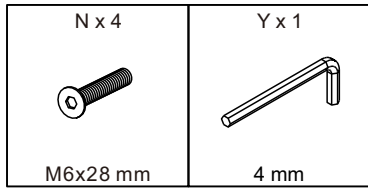
# 11



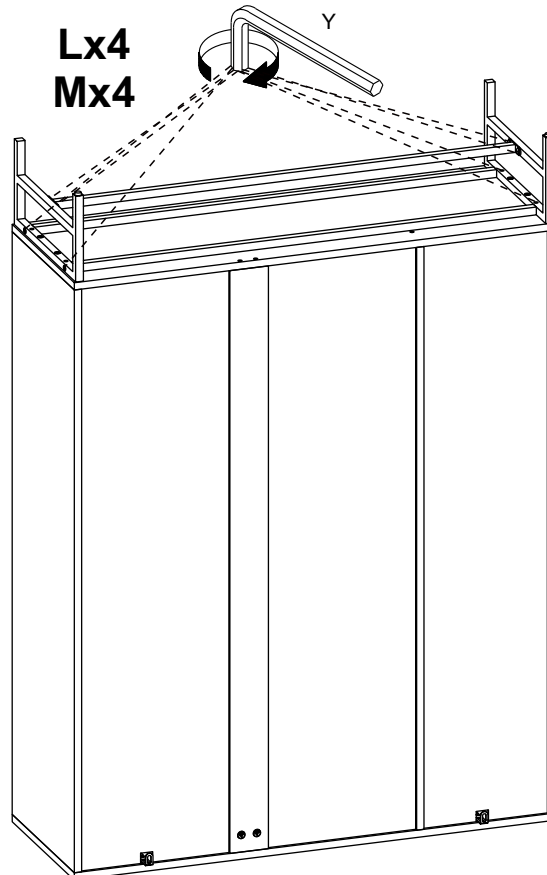
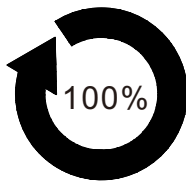
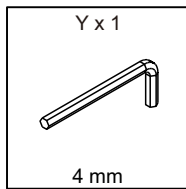
# 12



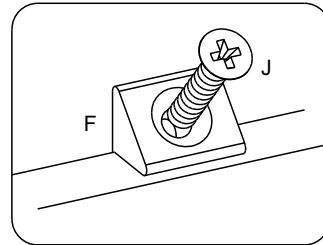
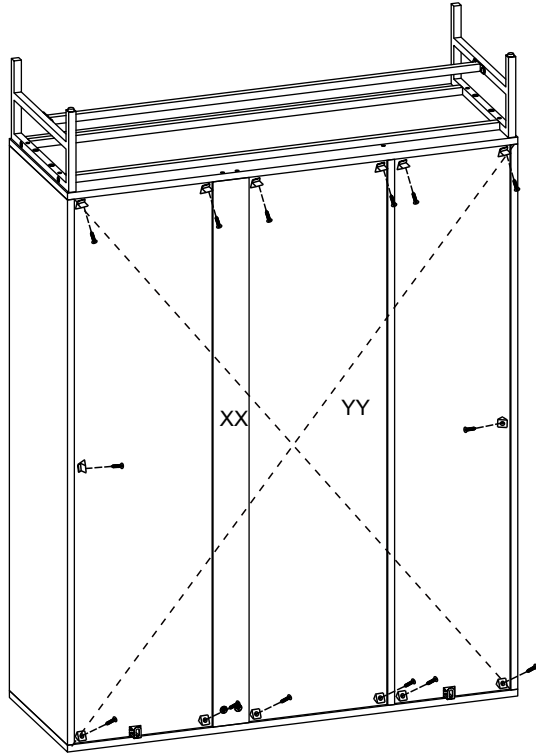
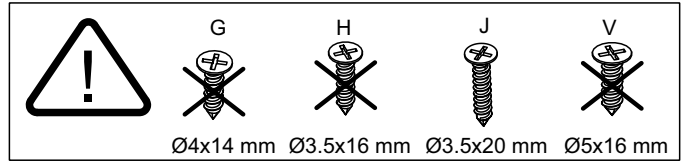
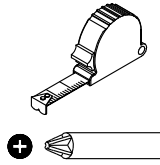
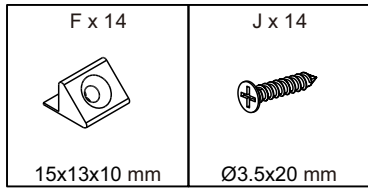
# 13



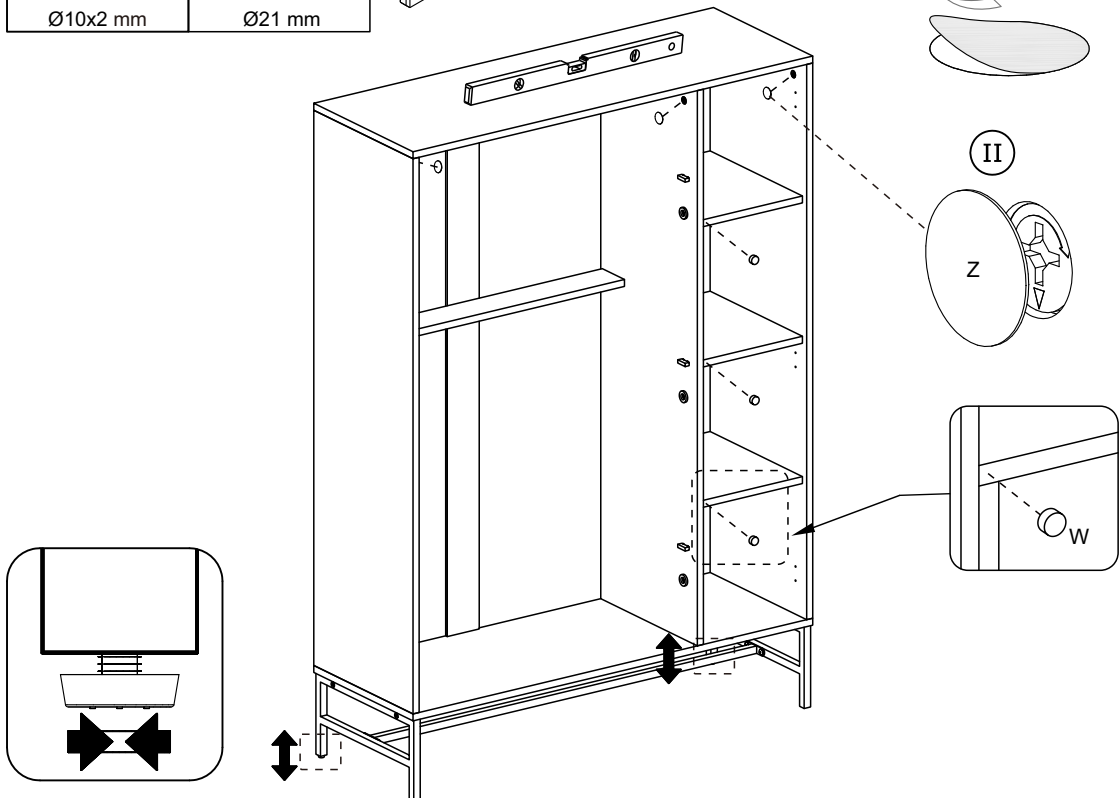
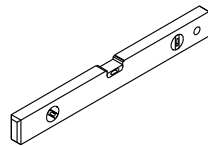
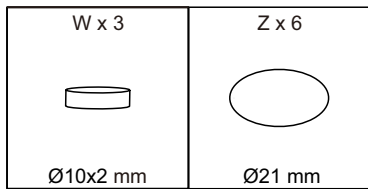
# 14



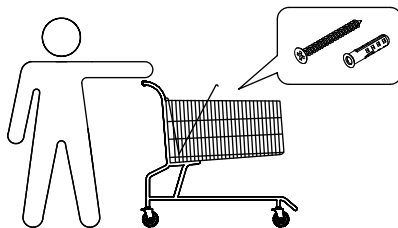
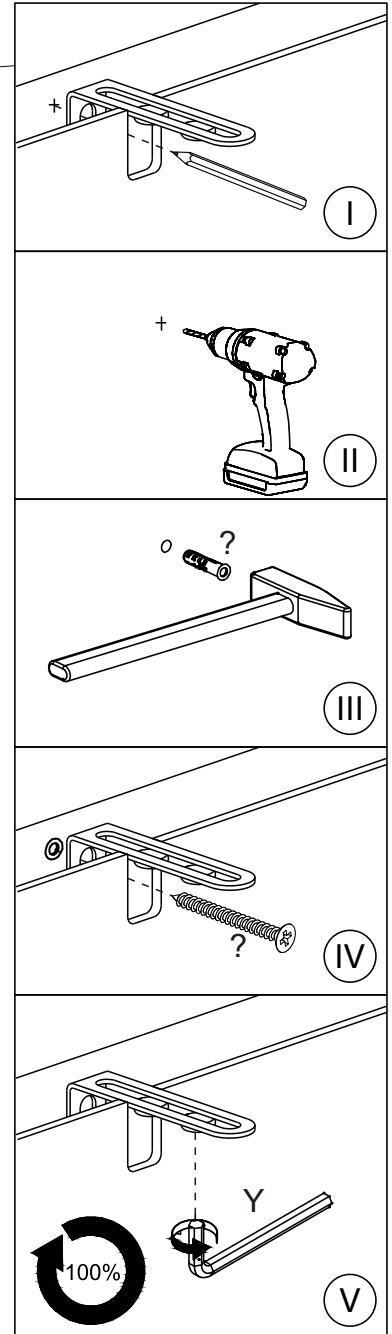
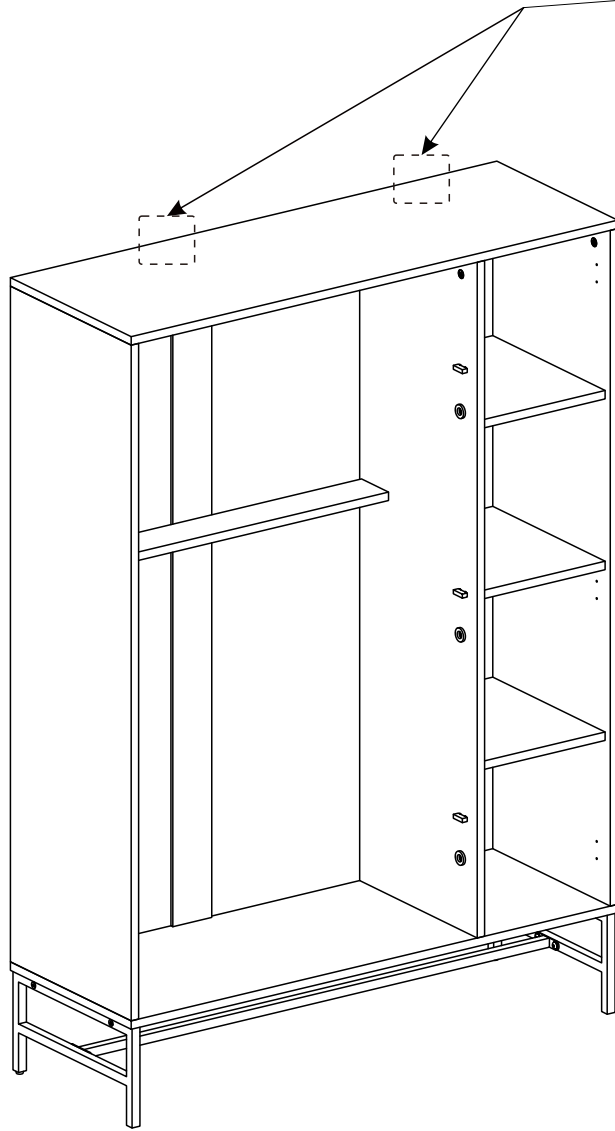
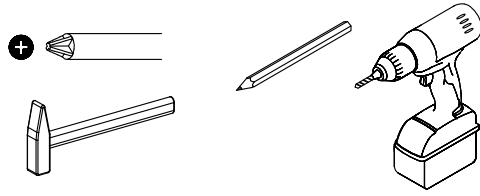
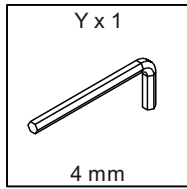
# 15



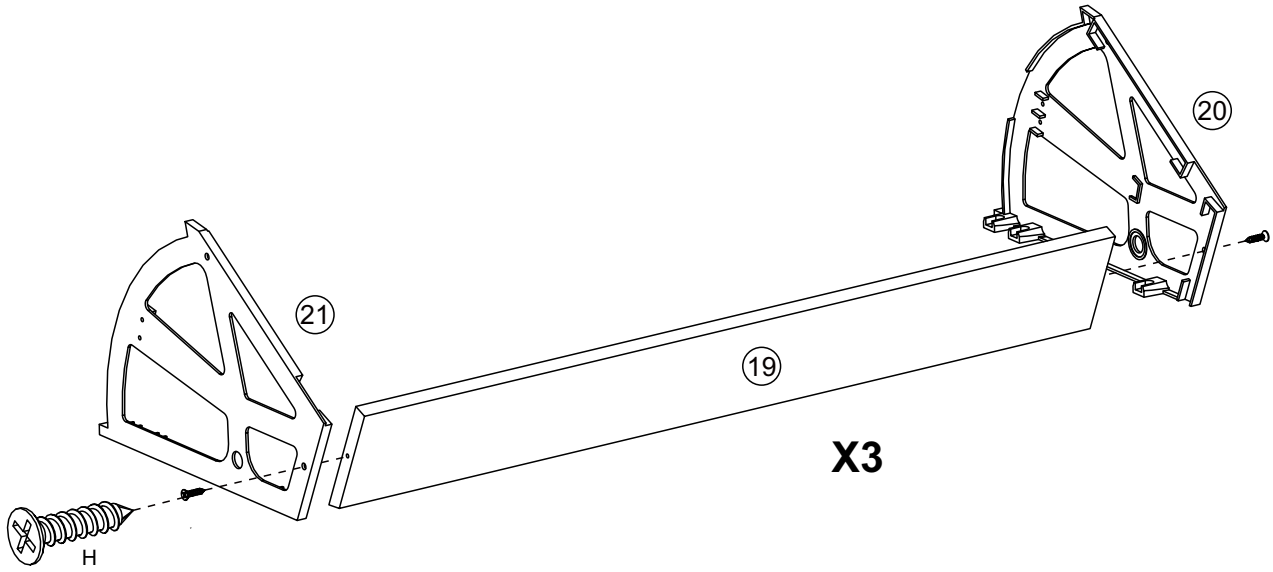
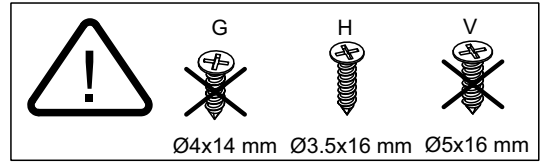
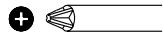
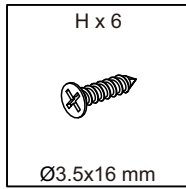
# 16



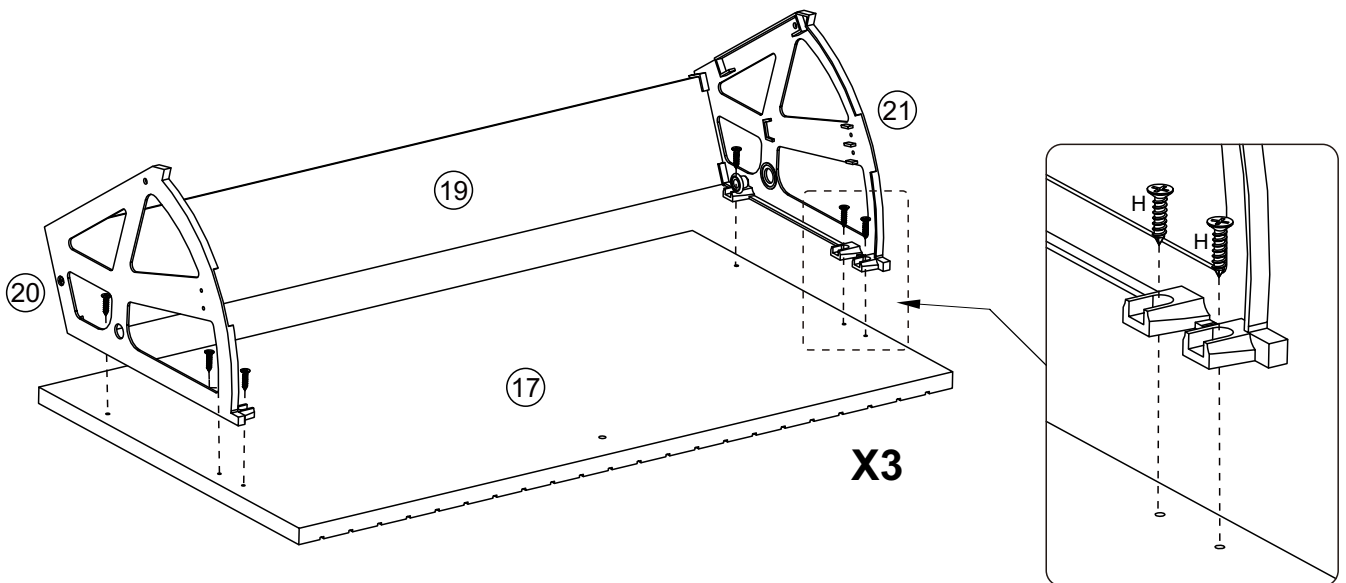
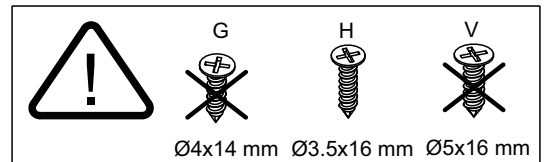
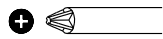
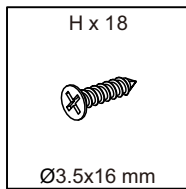
# 17



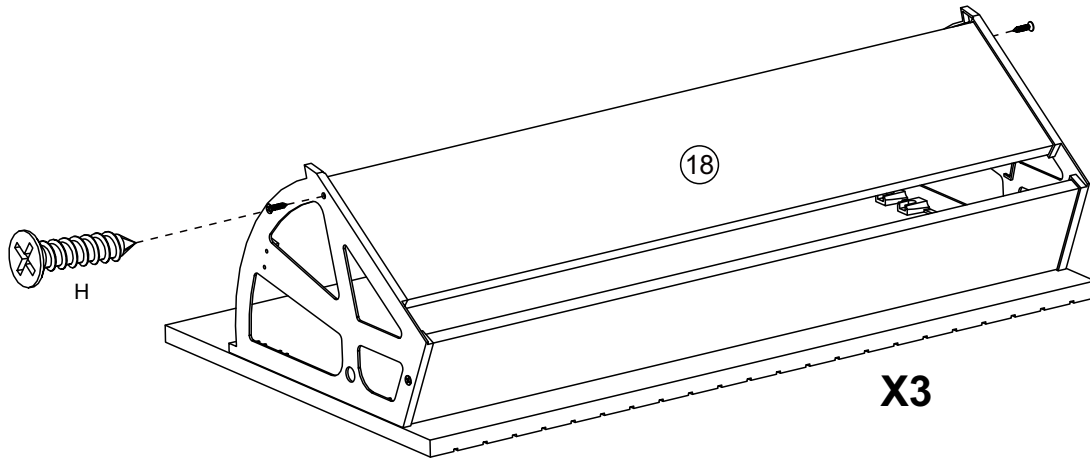
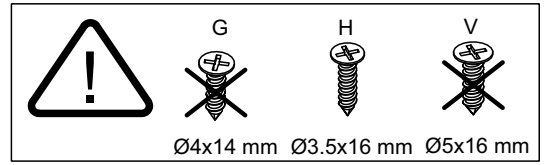
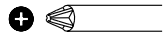
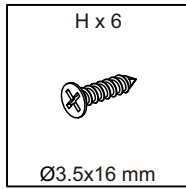
# 18



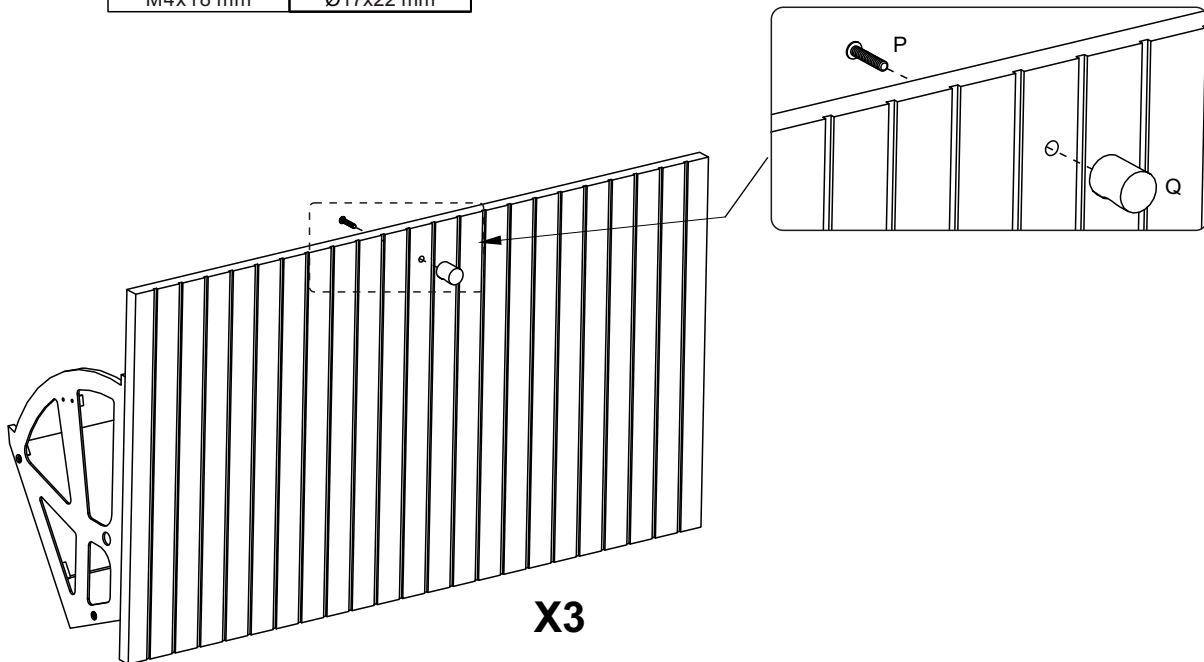
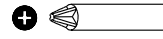
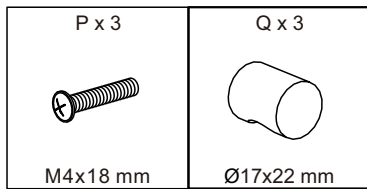
# 19



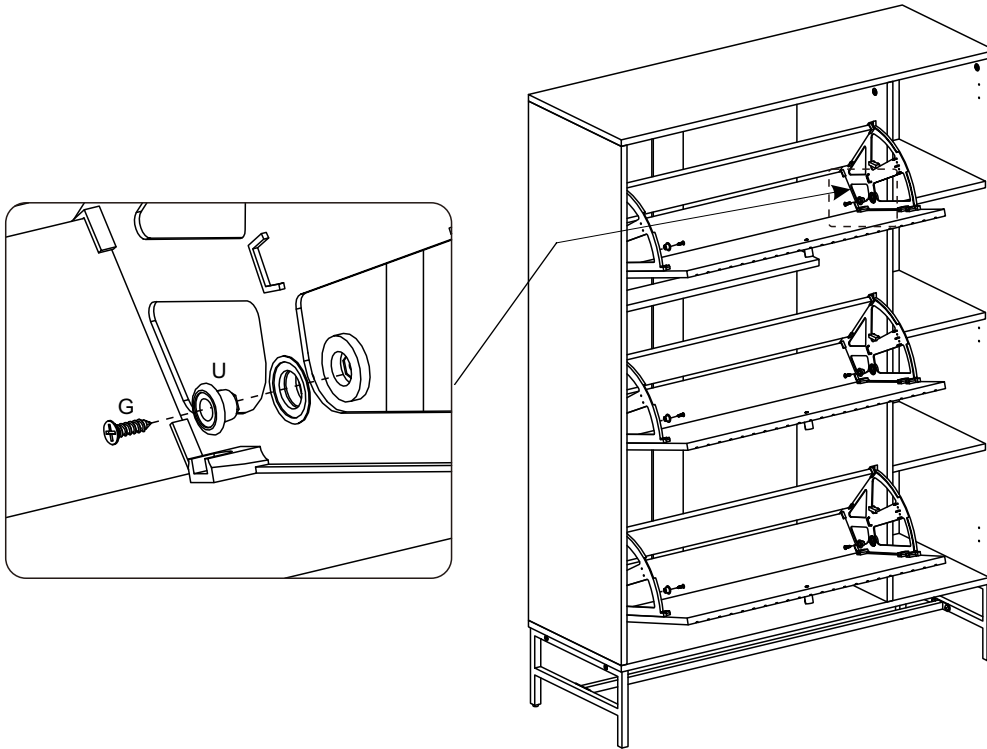
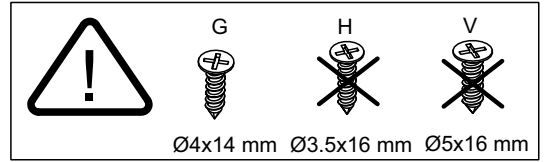
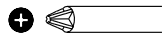
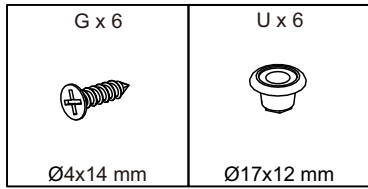
# 20



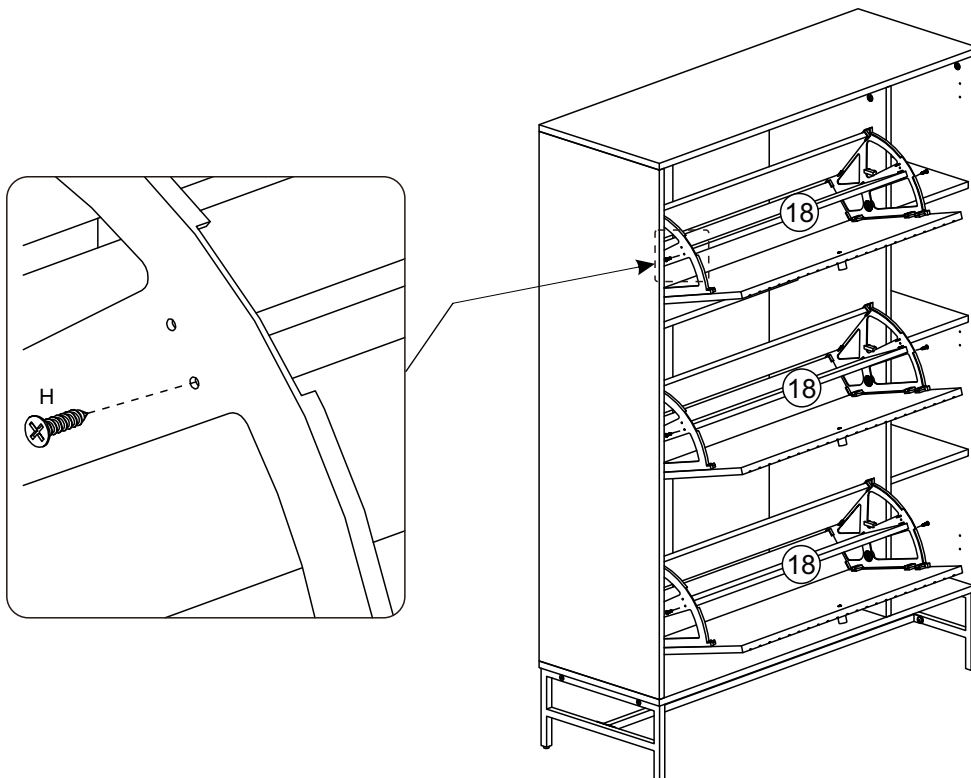
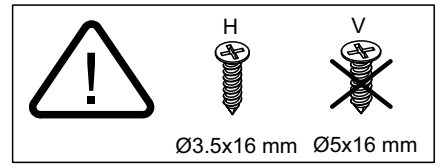
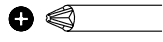
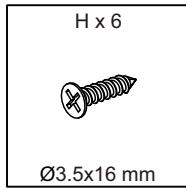
# 21



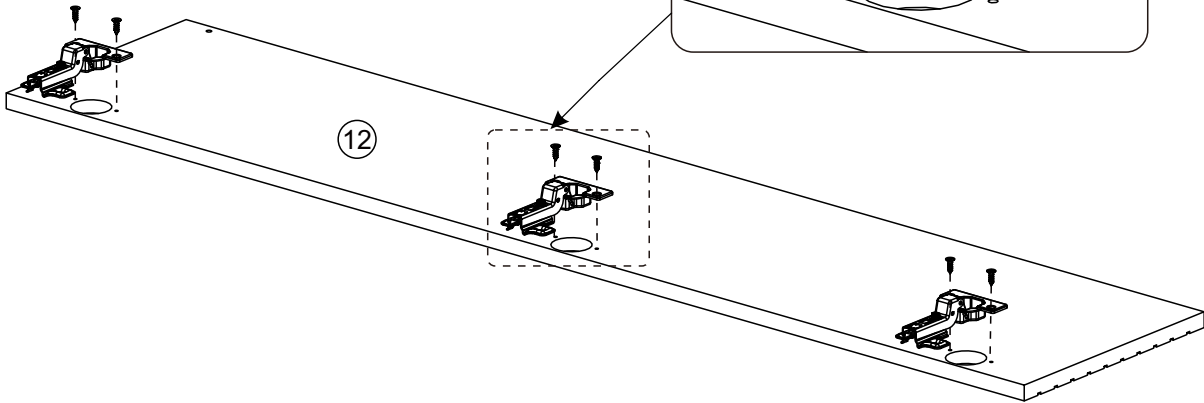
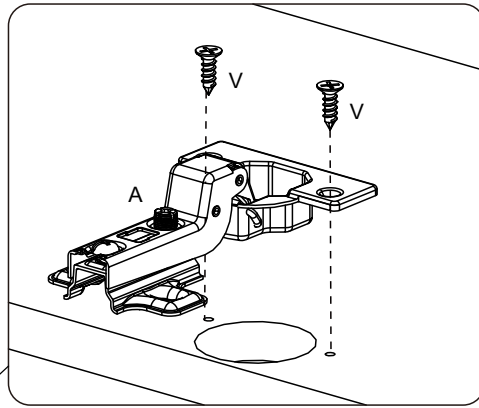
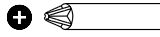
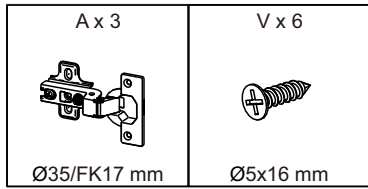
# 22



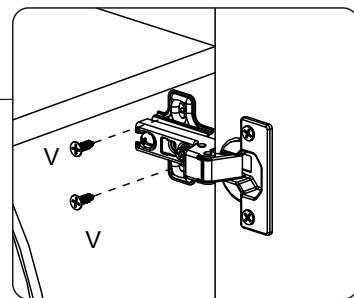
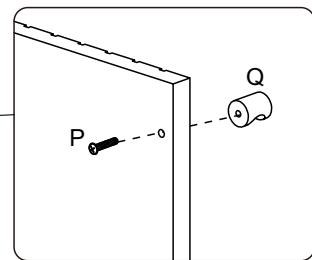
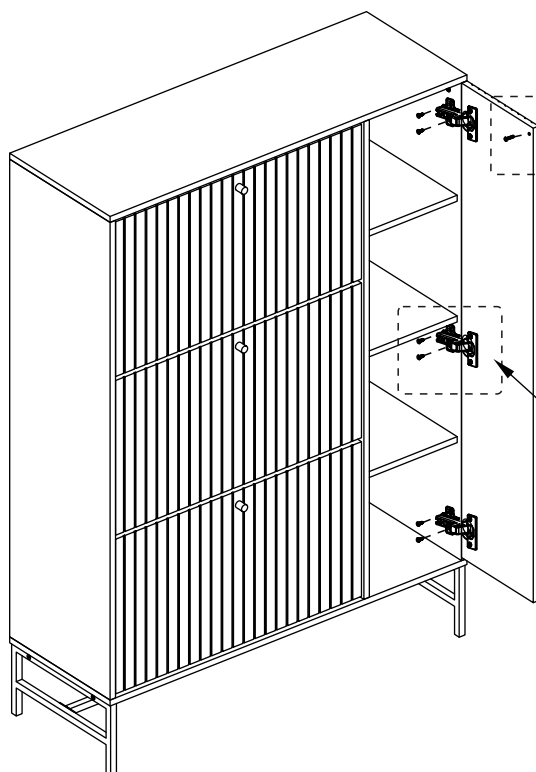
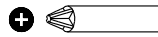
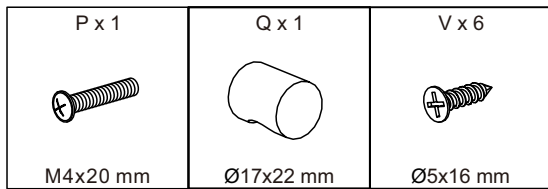
# 23



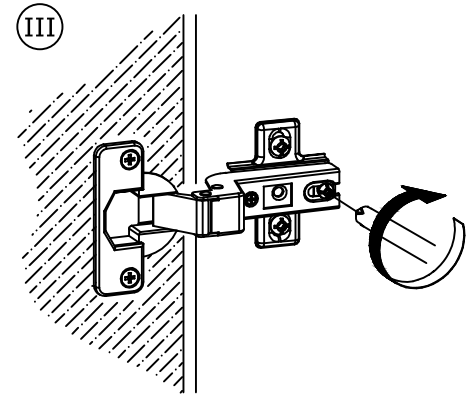
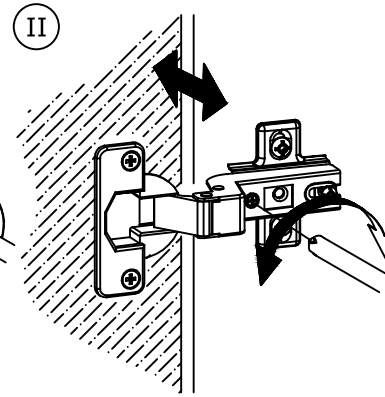
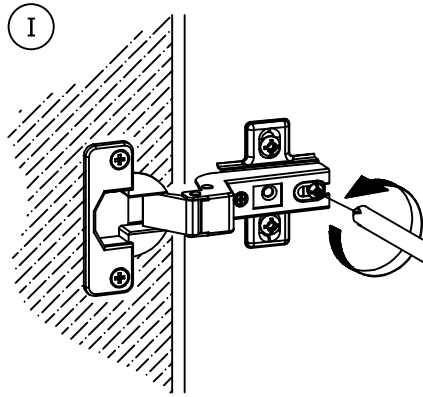
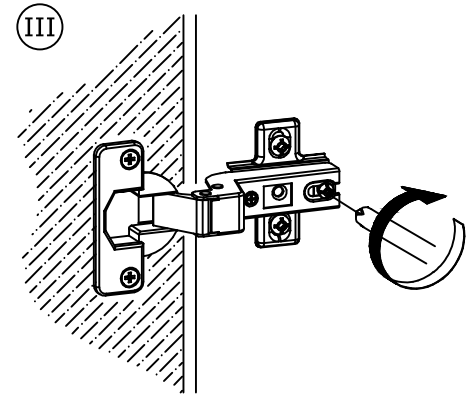
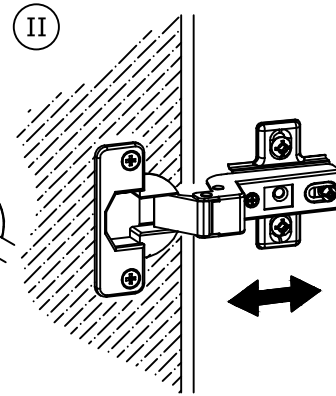
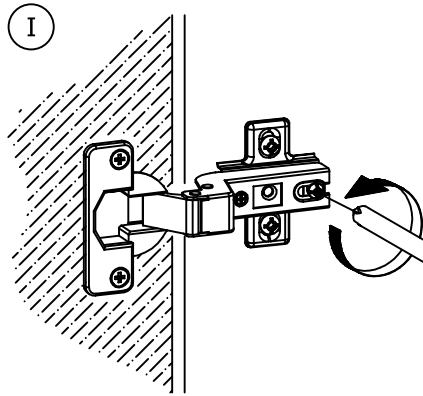
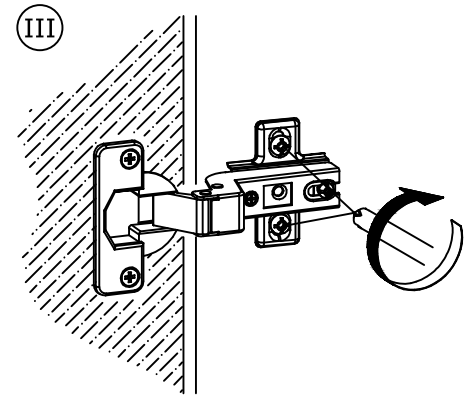
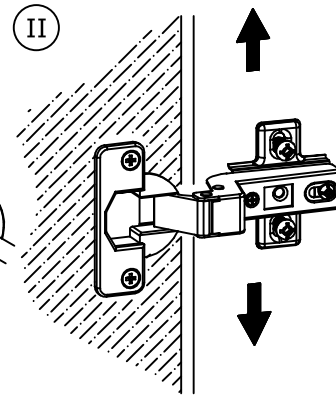
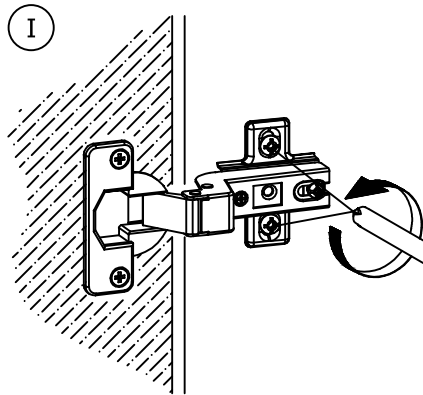
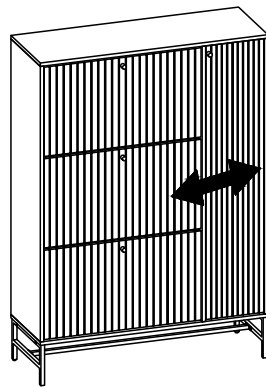
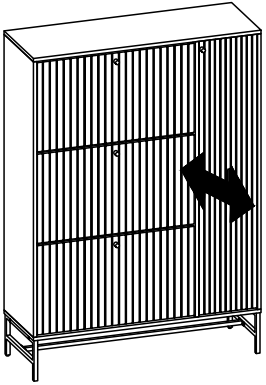
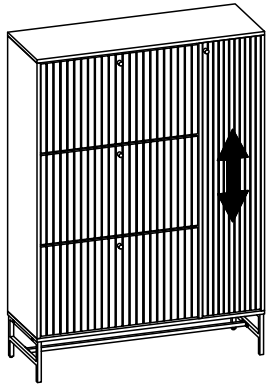
# 24



# 25







27

