

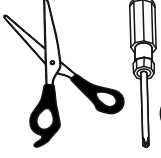



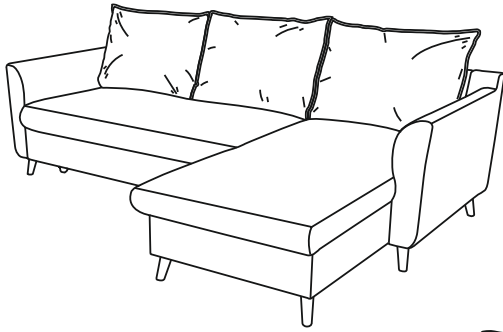


SOTKA

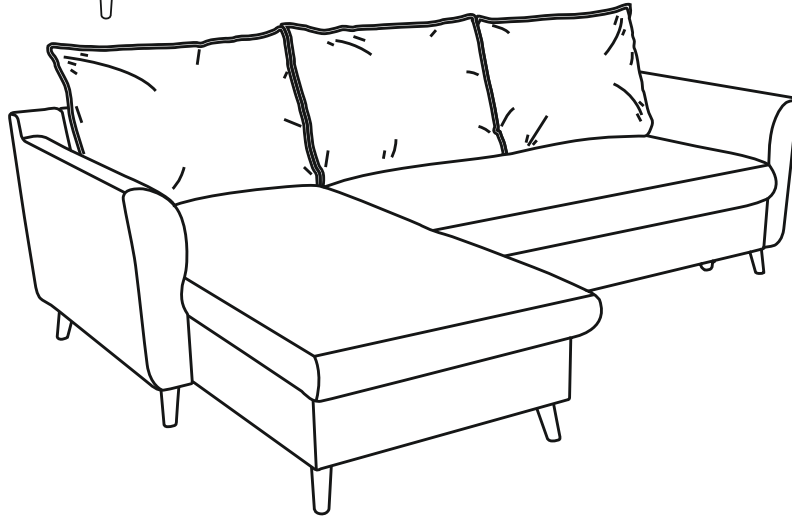
LARA 2F.REC/BK
LARA REC/BK.2F
 19-07/2024

| | | |
|--|--|---|
|  x2 |  60 MIN |  (+) |
|  | | |

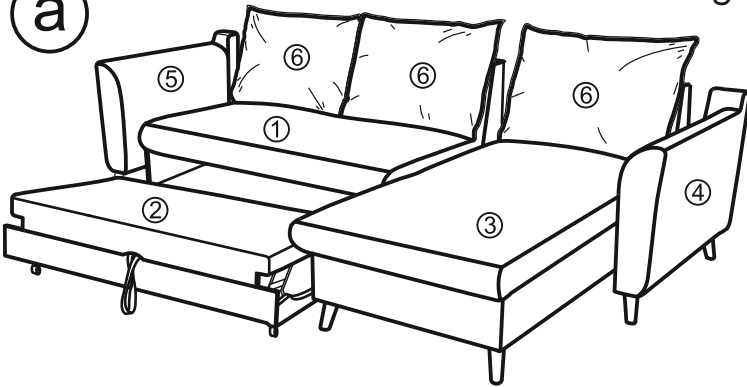
(a)



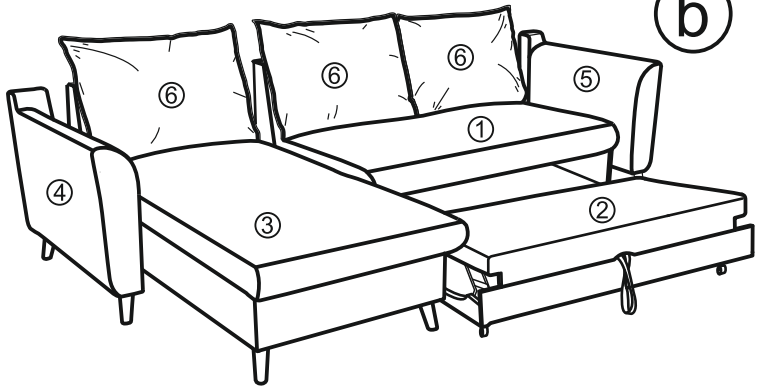
(b)

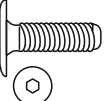
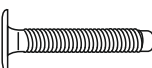
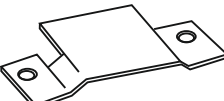


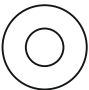
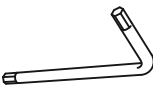
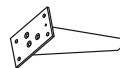
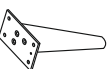
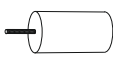


(a)

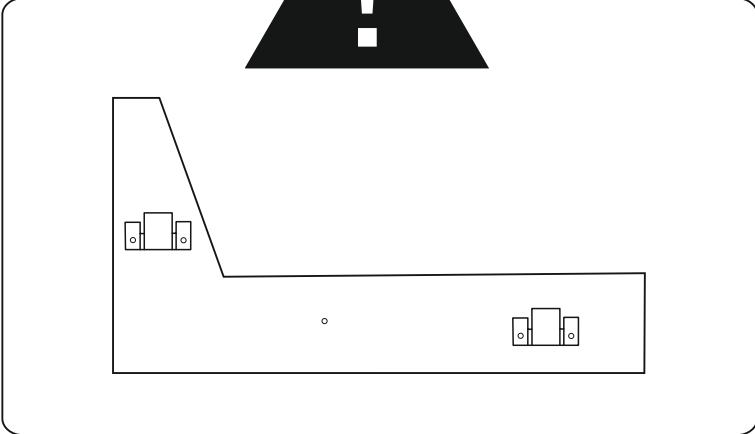
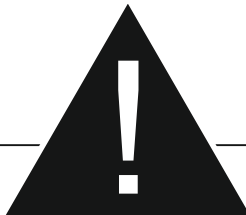
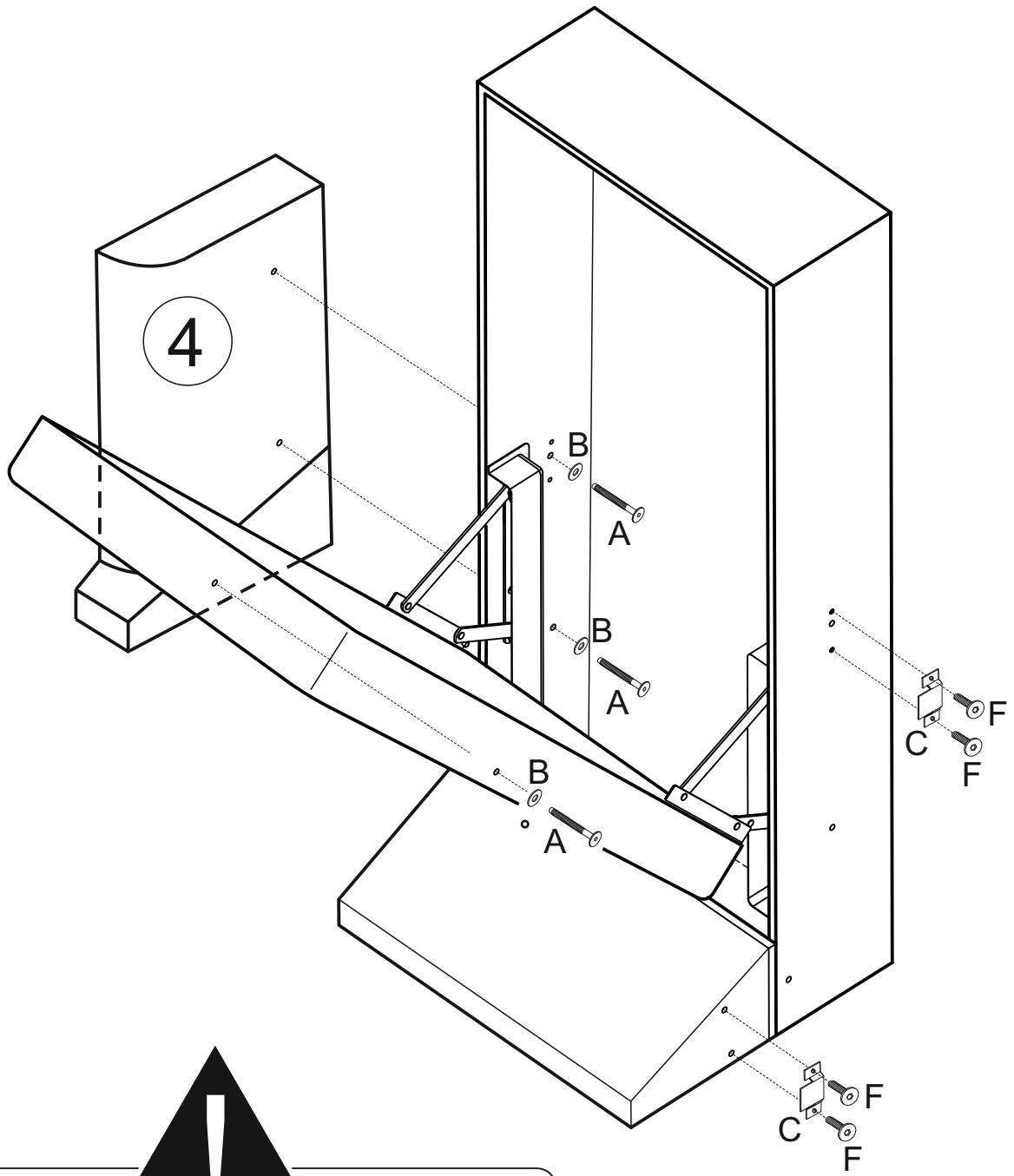
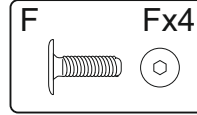
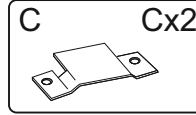
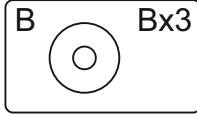
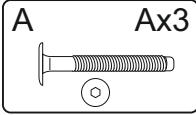


(b)

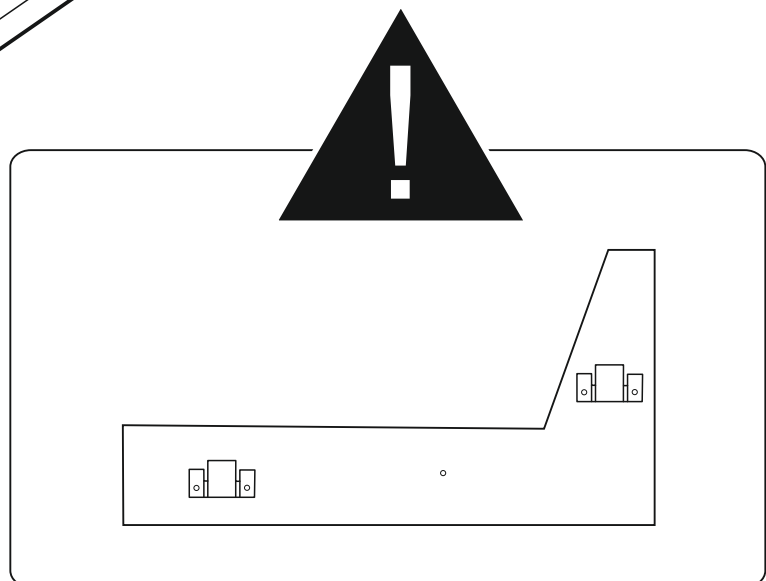
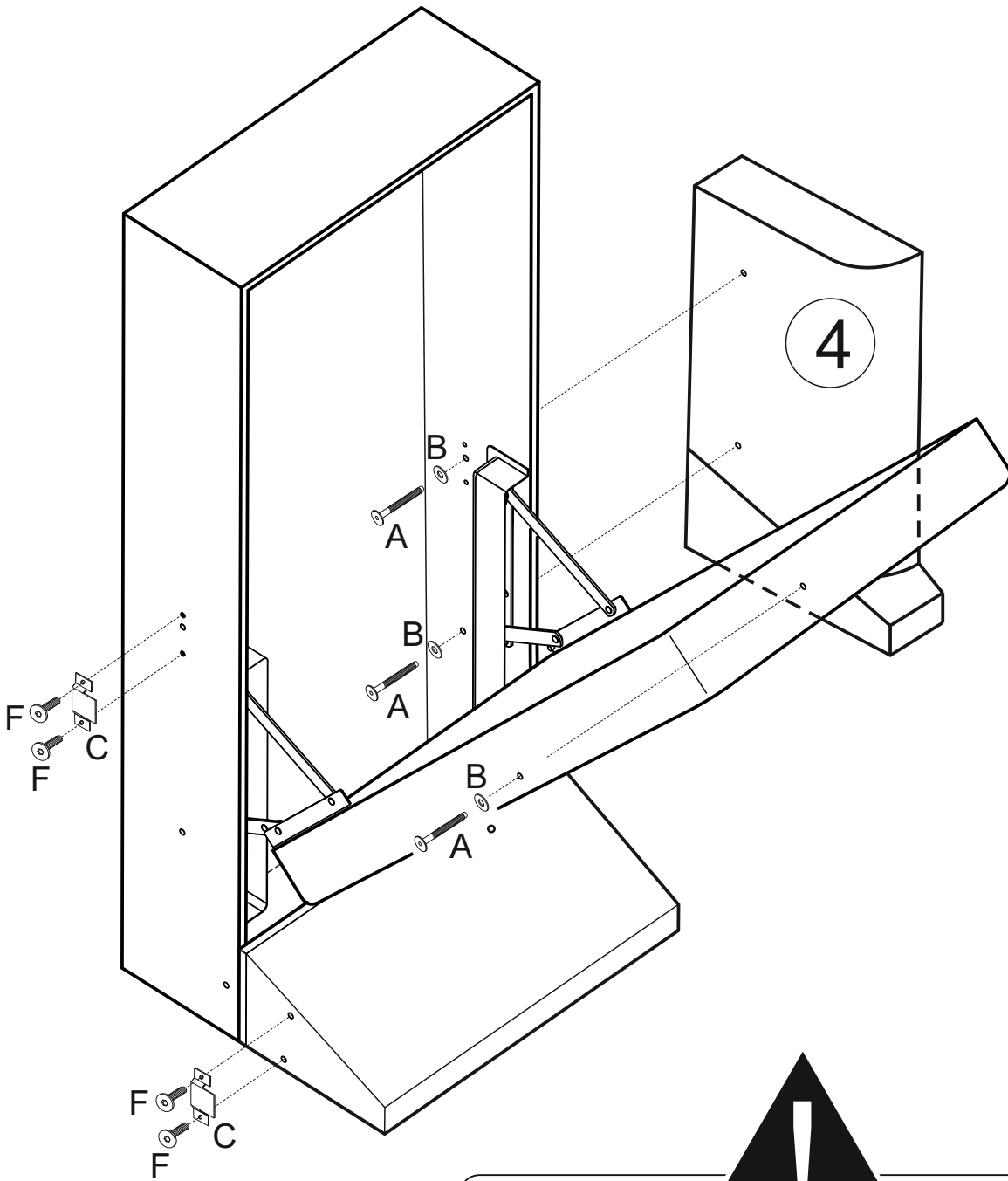
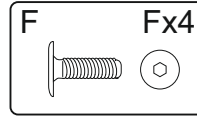
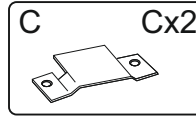
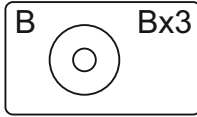
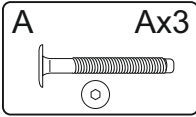


| | | | | | | | | | | | |
|---|---|------------------|---|---|--------------------|---|--|----------|---|--|------------------|
| A |  | Ax8 M6x20 | B |  | Bx6 M6x40 | C |  | Cx4 | D |  Ø 22 Felt Feutre | Dx7 |
| E |  | Ex24 4,5x20 | F |  | Fx6 M8 | G |  | Gx1 ④ | H |  | Hx3 Right Leg |
| I |  | Ex3 Right Leg | J |  | Jx1 Plastic Leg | | | | | | |

1a




1b




2a

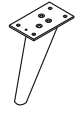
E Ex20
4x16




H Right Leg
Hx2



I Left Leg
Ix2

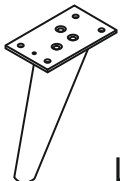
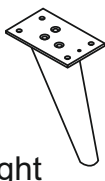



J Plastic Leg
Ix1



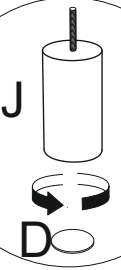
H Right Leg

I Left Leg



J

D

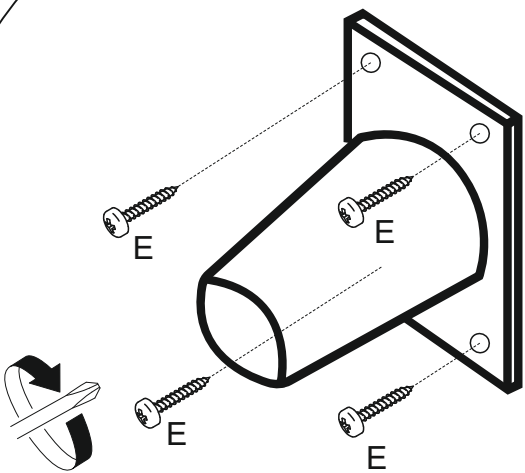


E

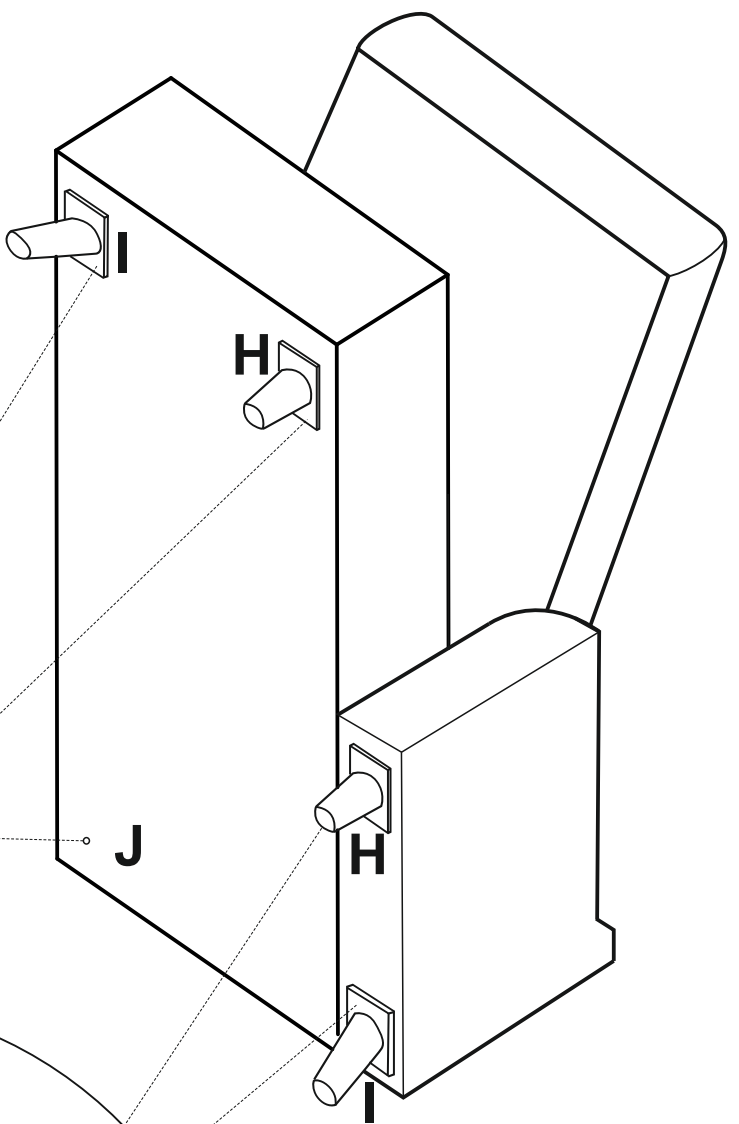
E

E

E




+4D




2b


E Ex20
4x16



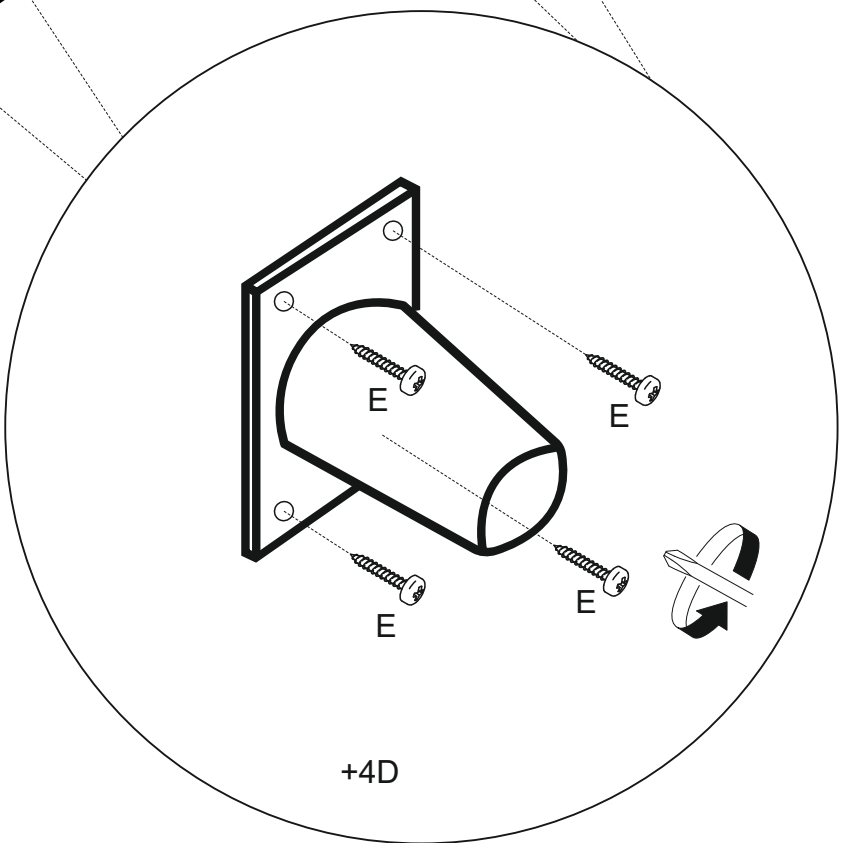
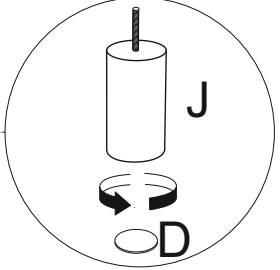
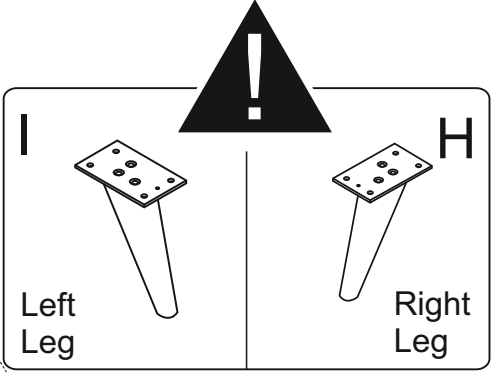
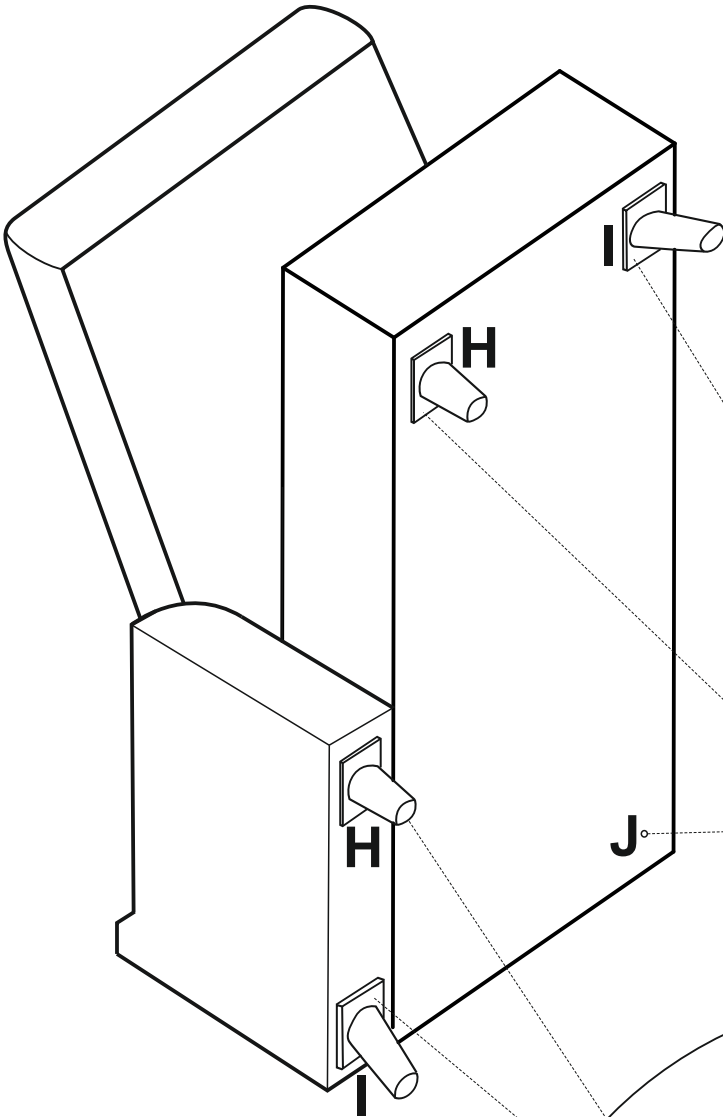
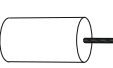
H Right Leg
Hx2

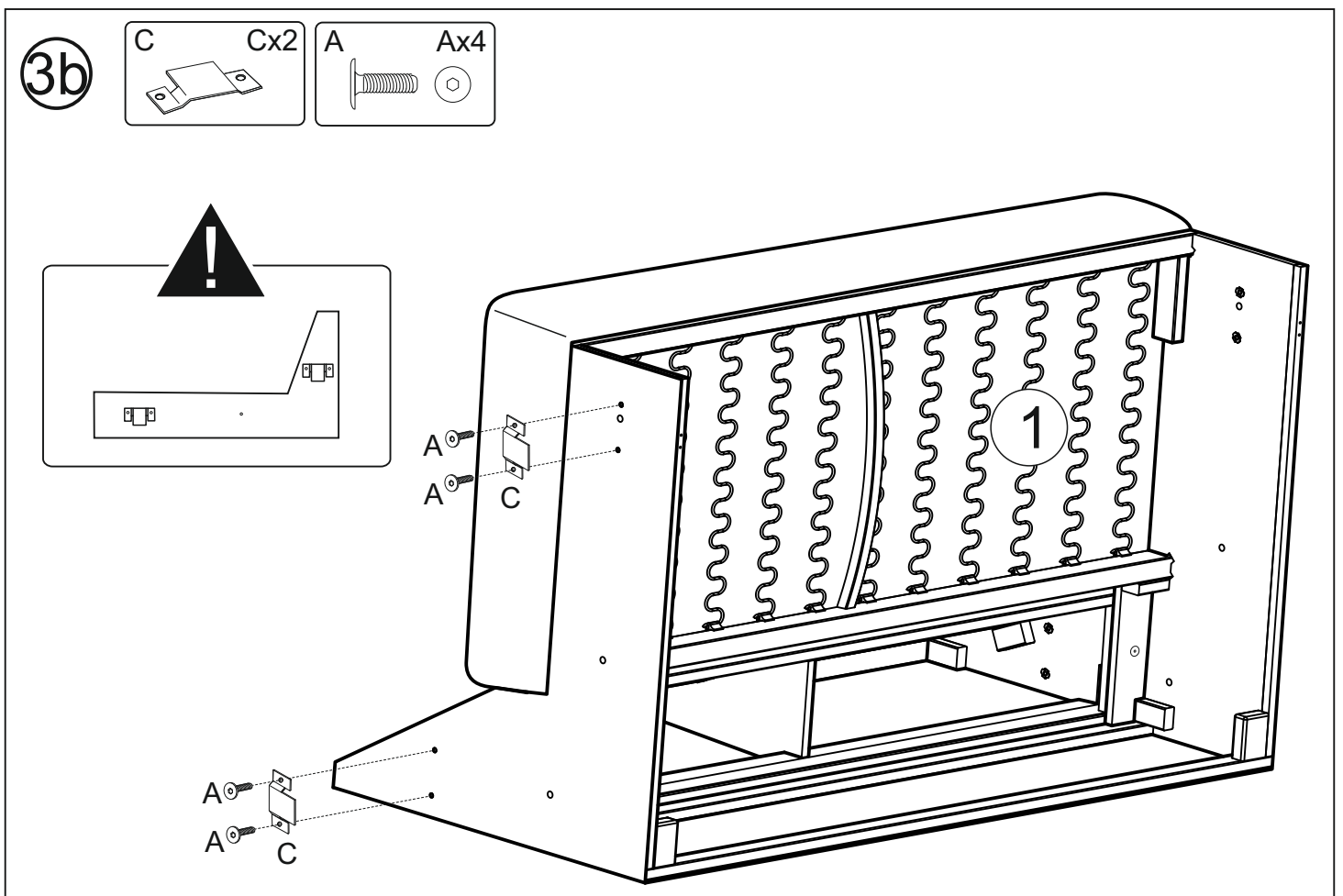
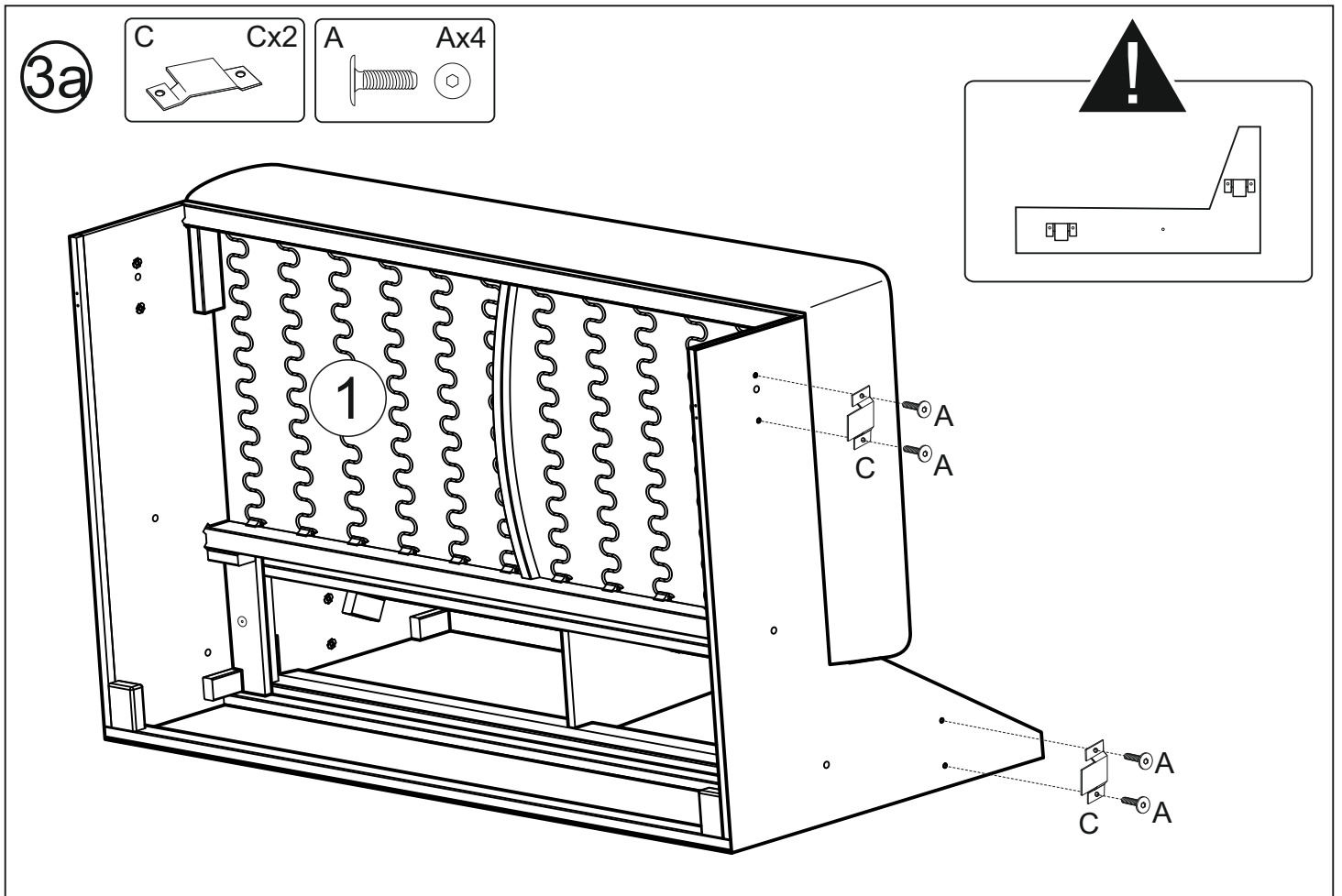


I Left Leg
Ix2

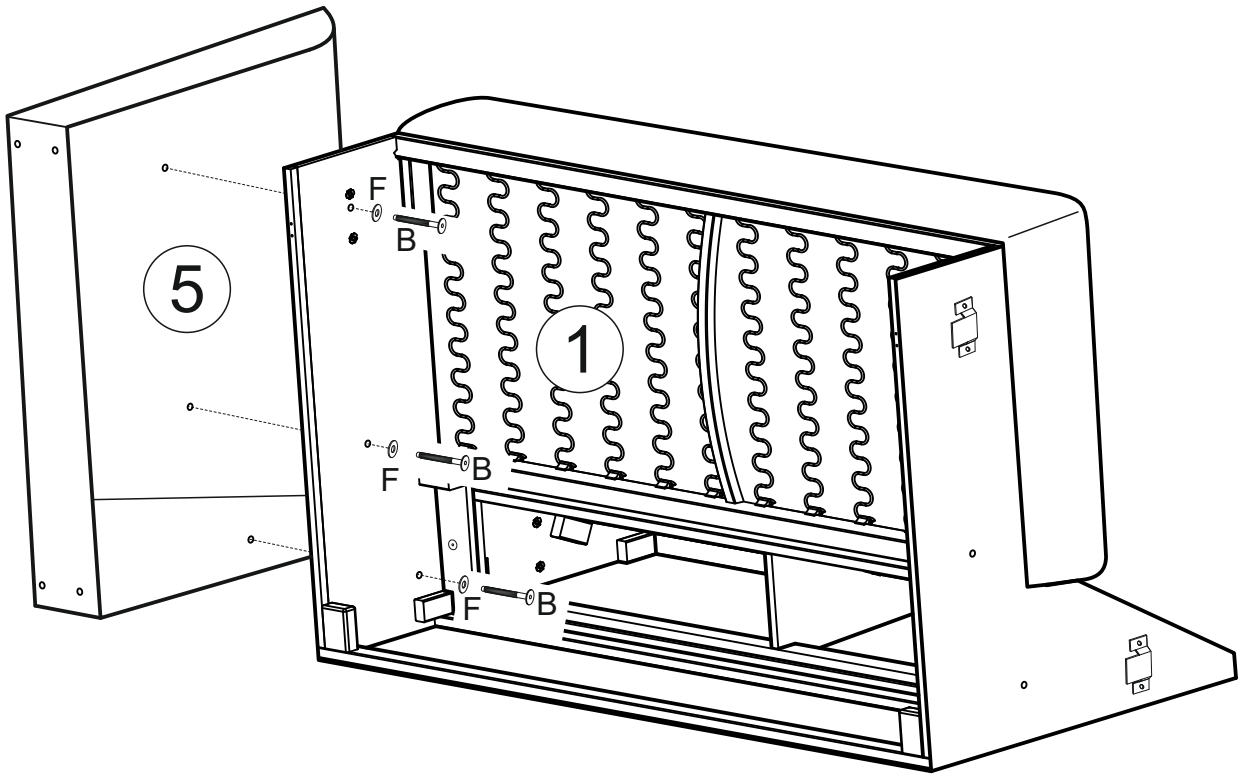
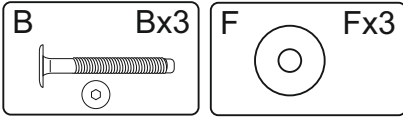


J Plastic Leg
Ix1

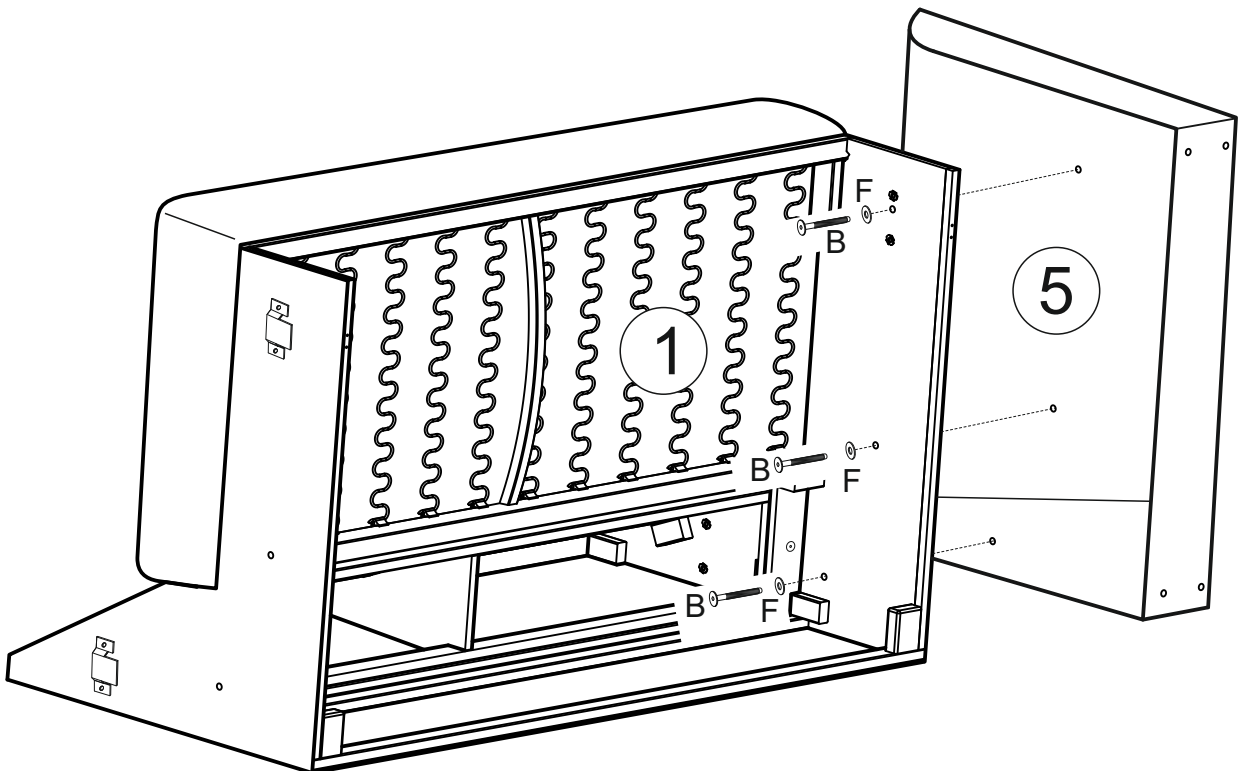
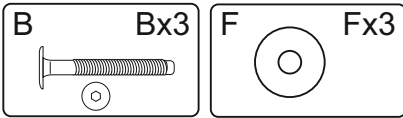


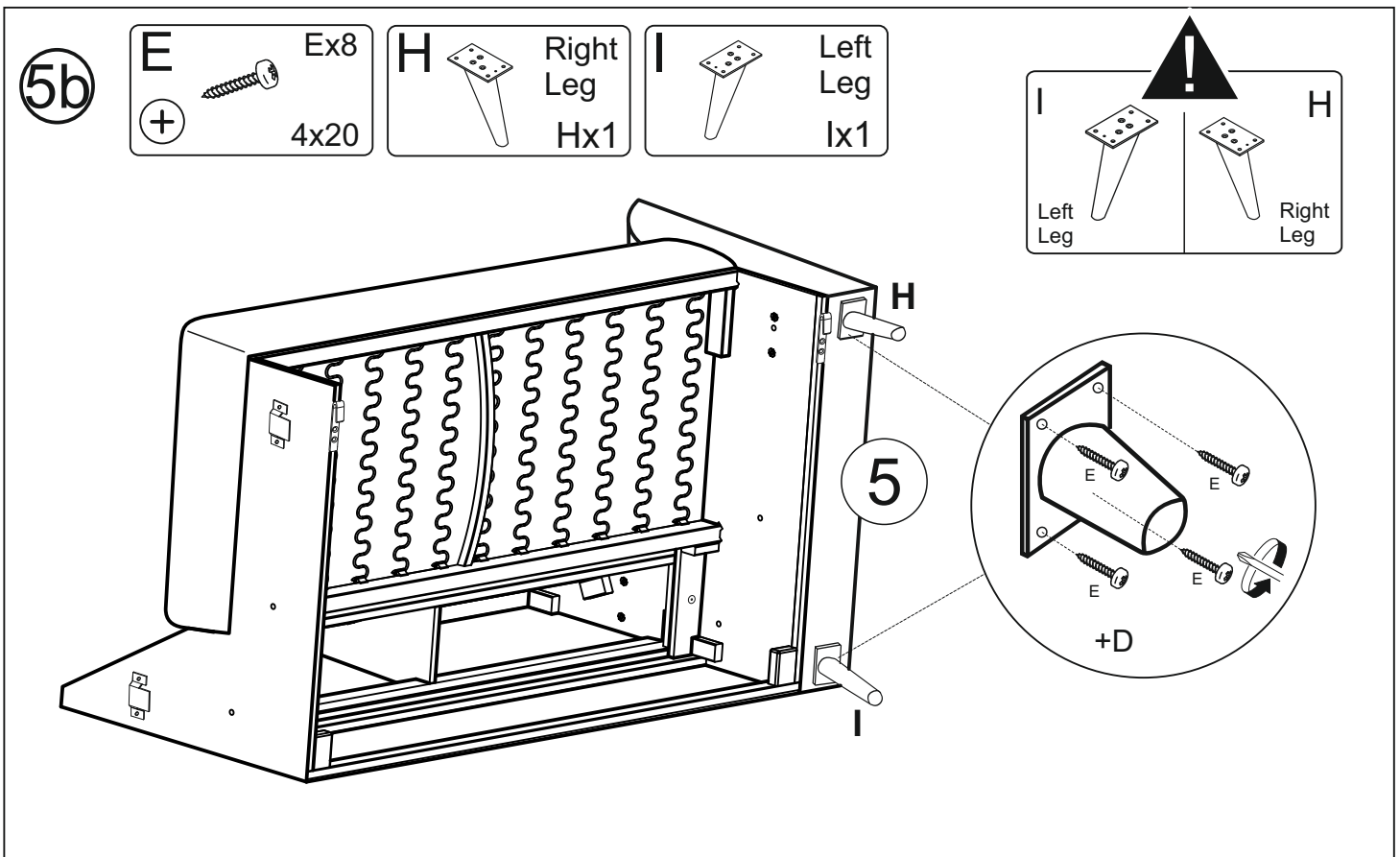
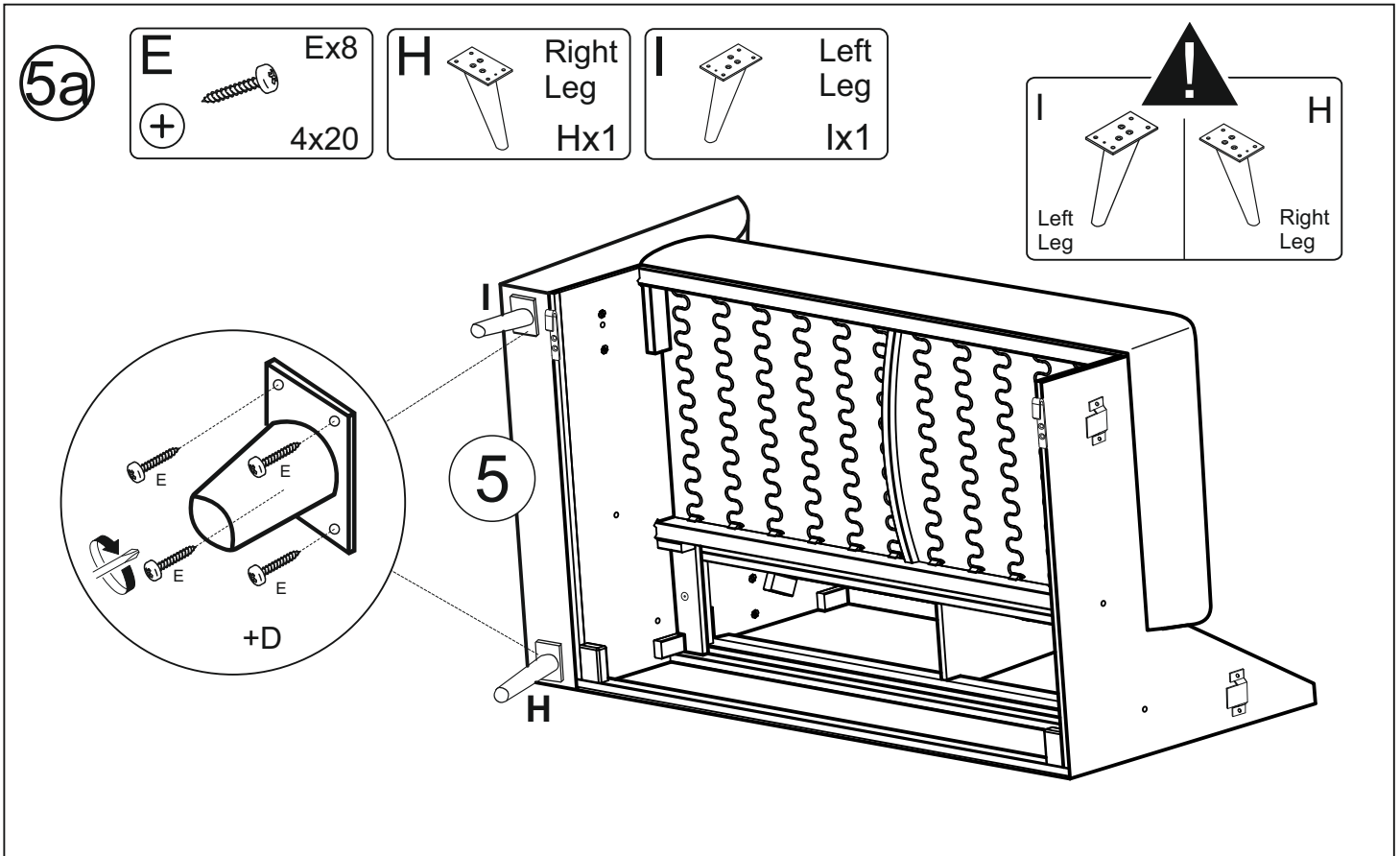


4a

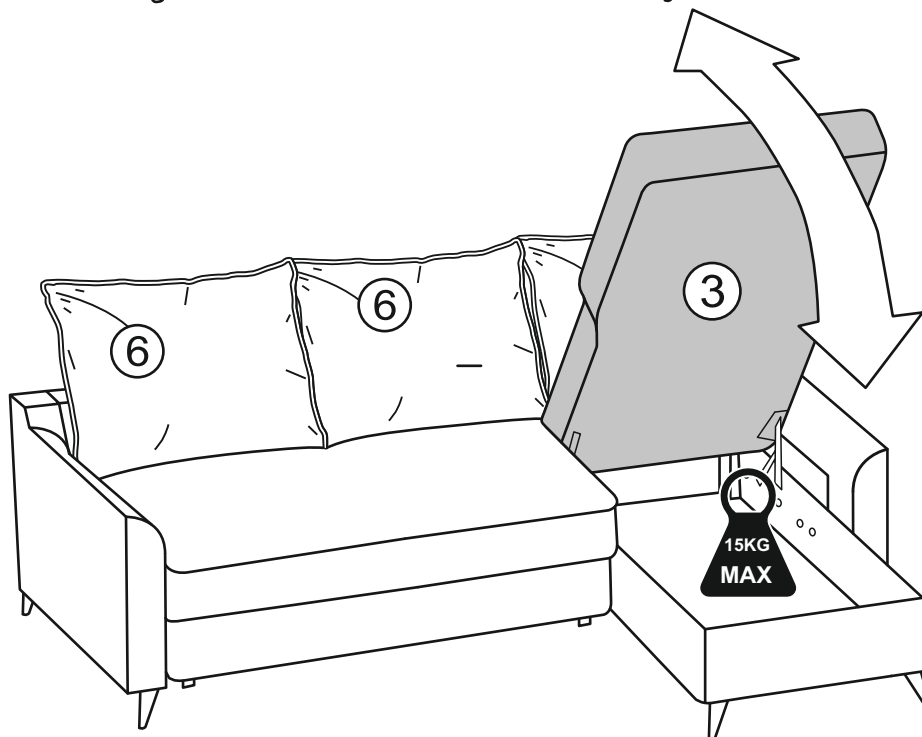
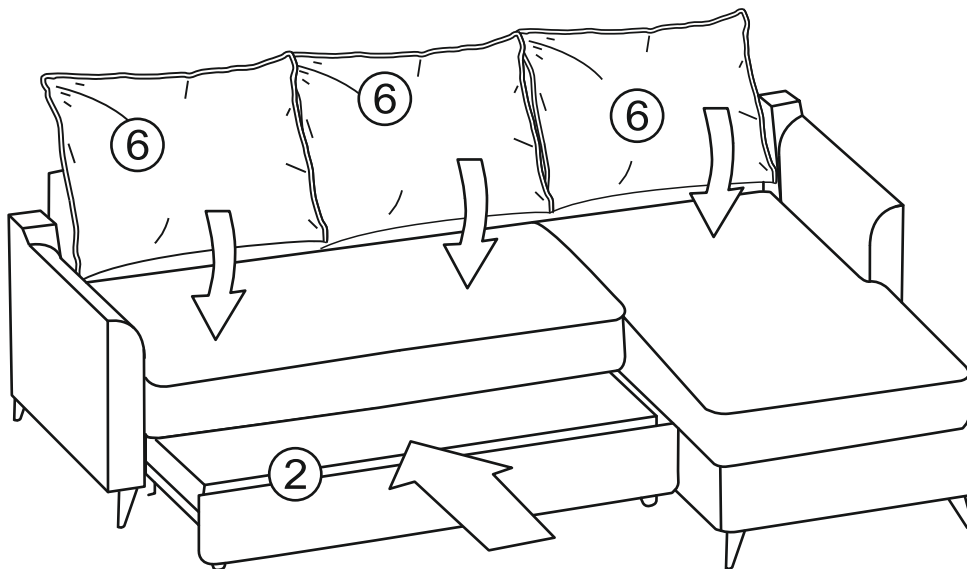
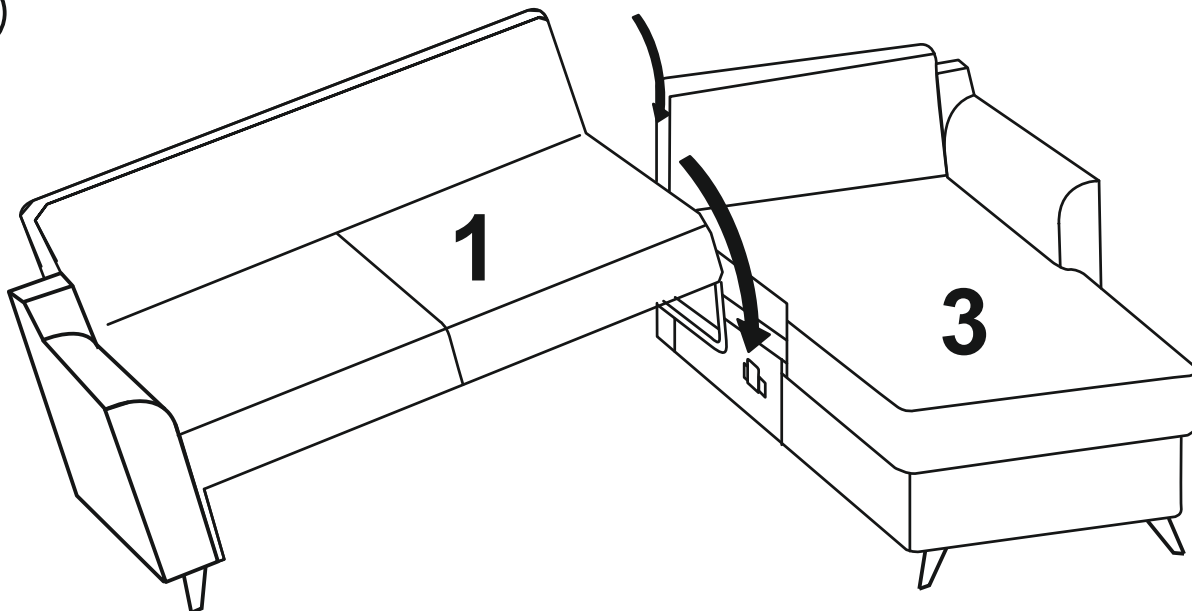


4b

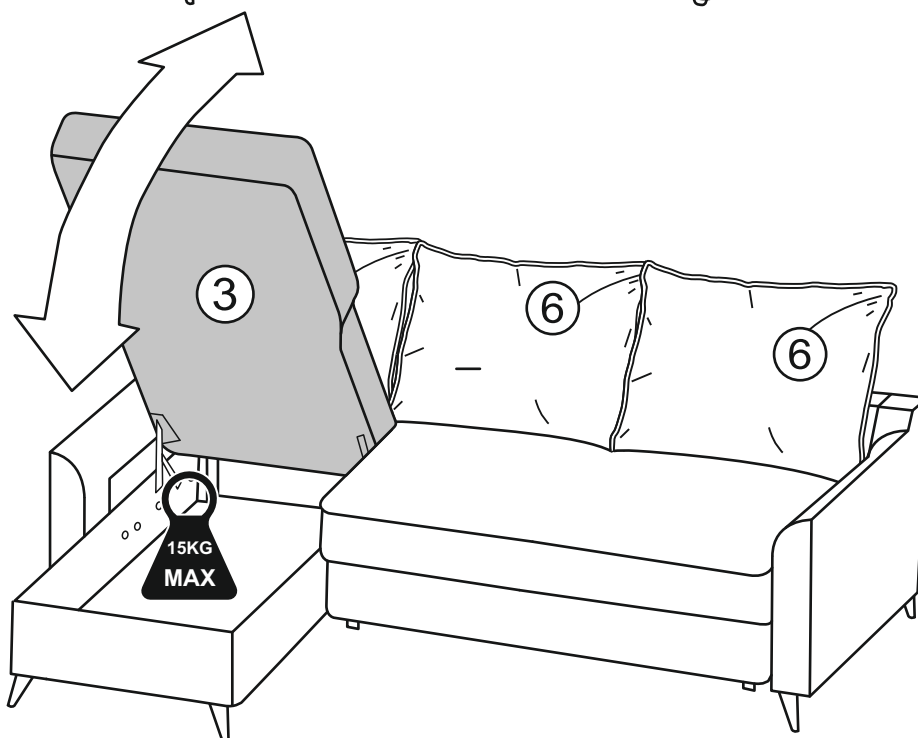
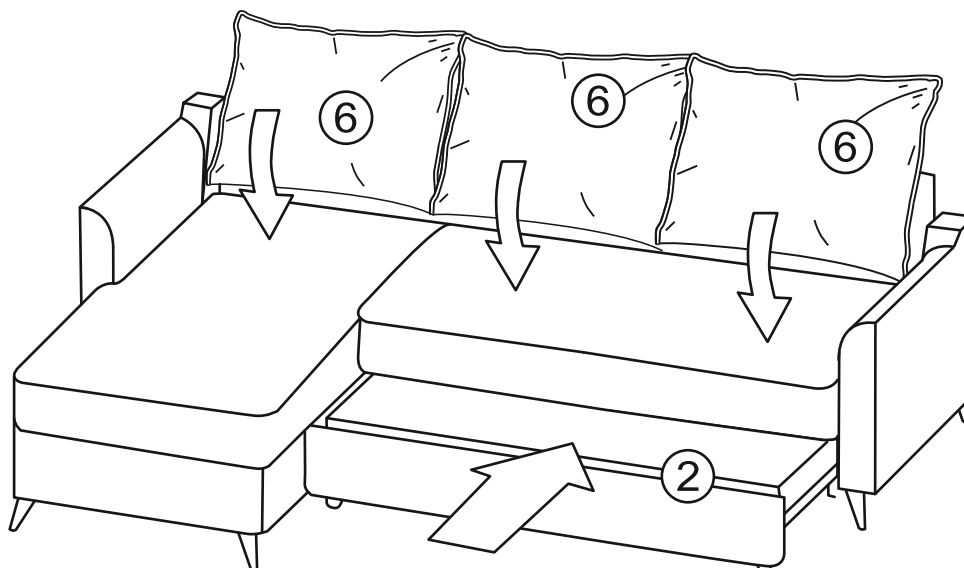
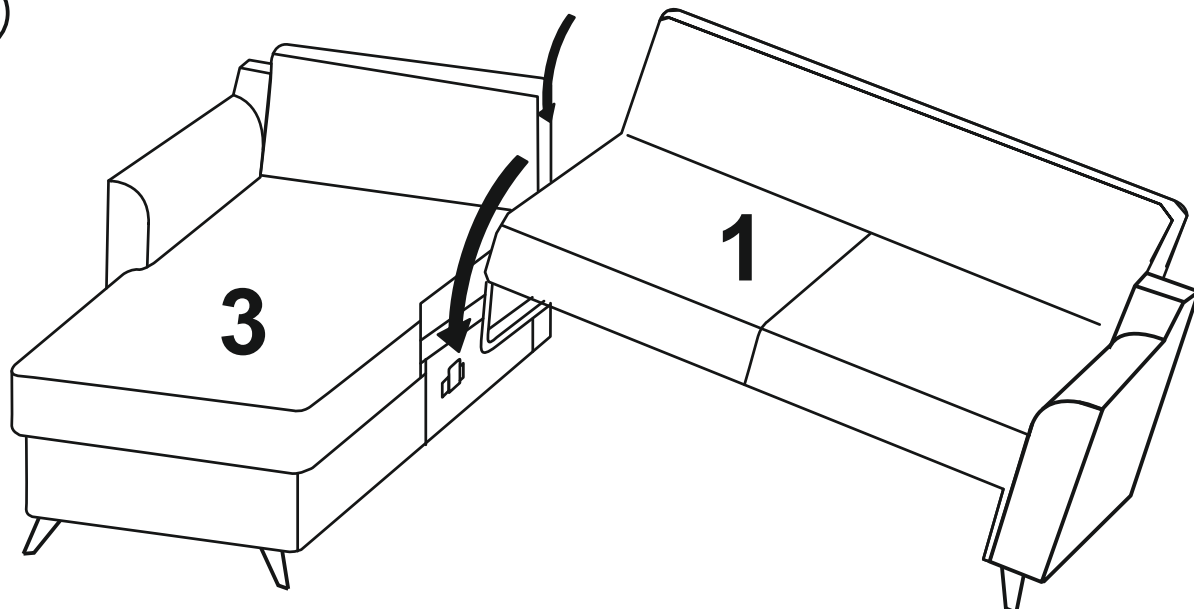


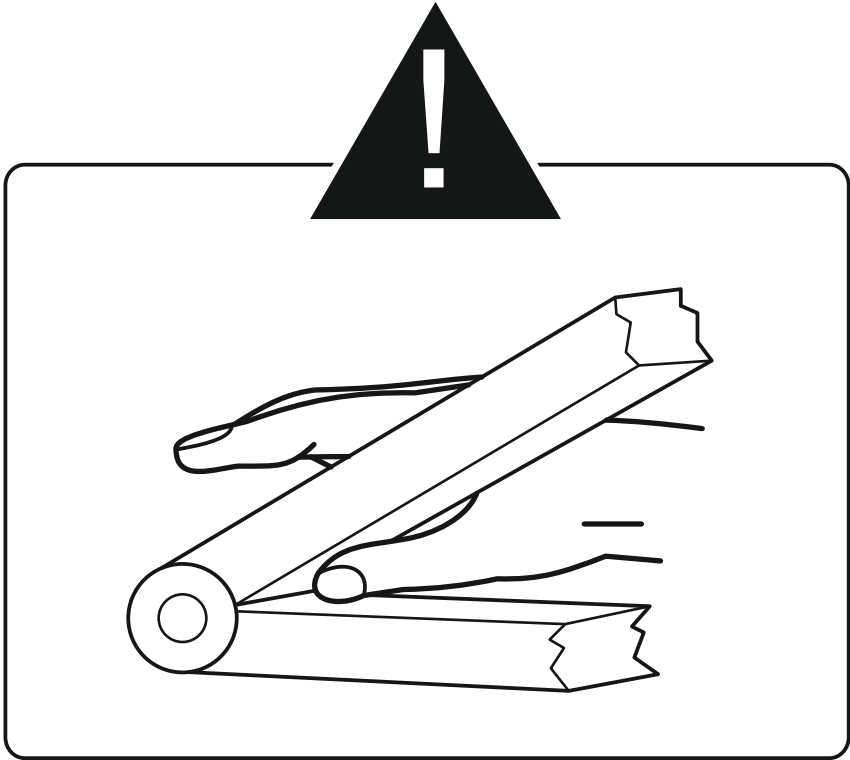
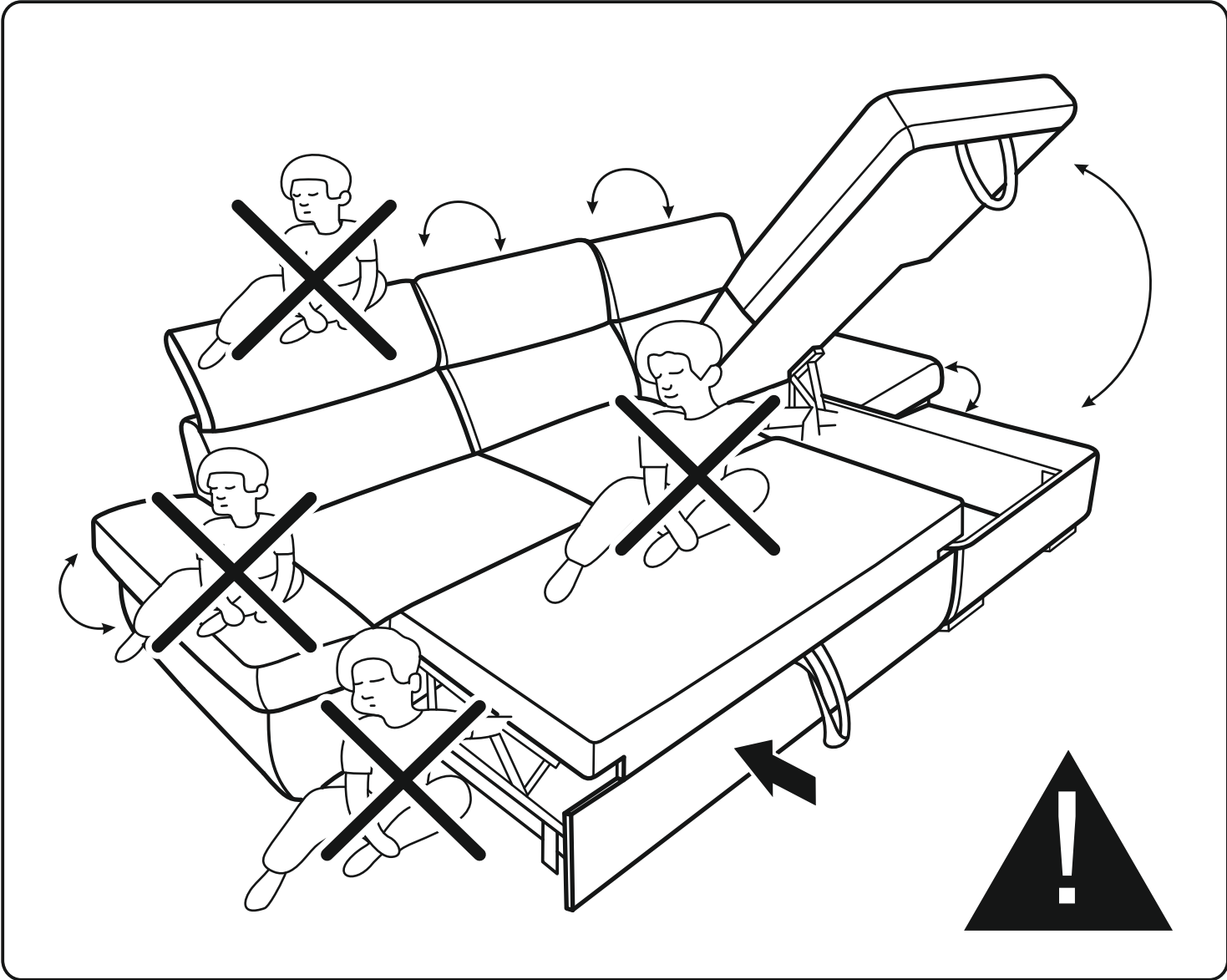


a

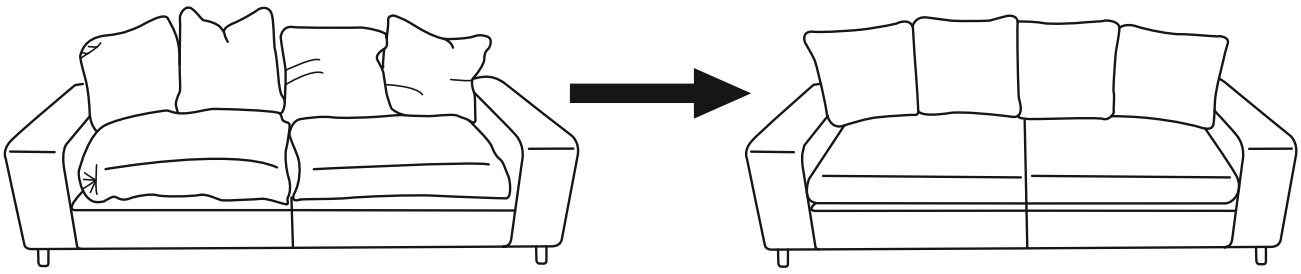


(b)

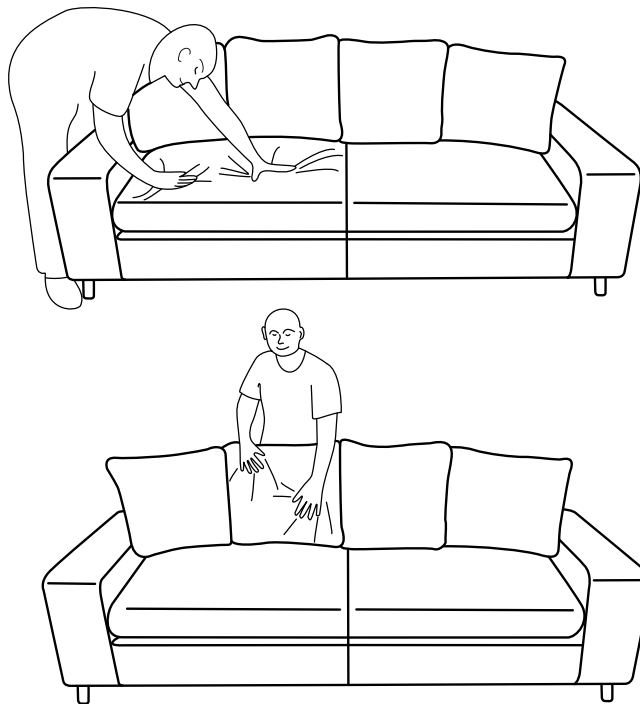




WARNING



GB We can recommend the cushions to elegant appearance. The safe is in order to rest.



GB After every using, please put down the cushions.