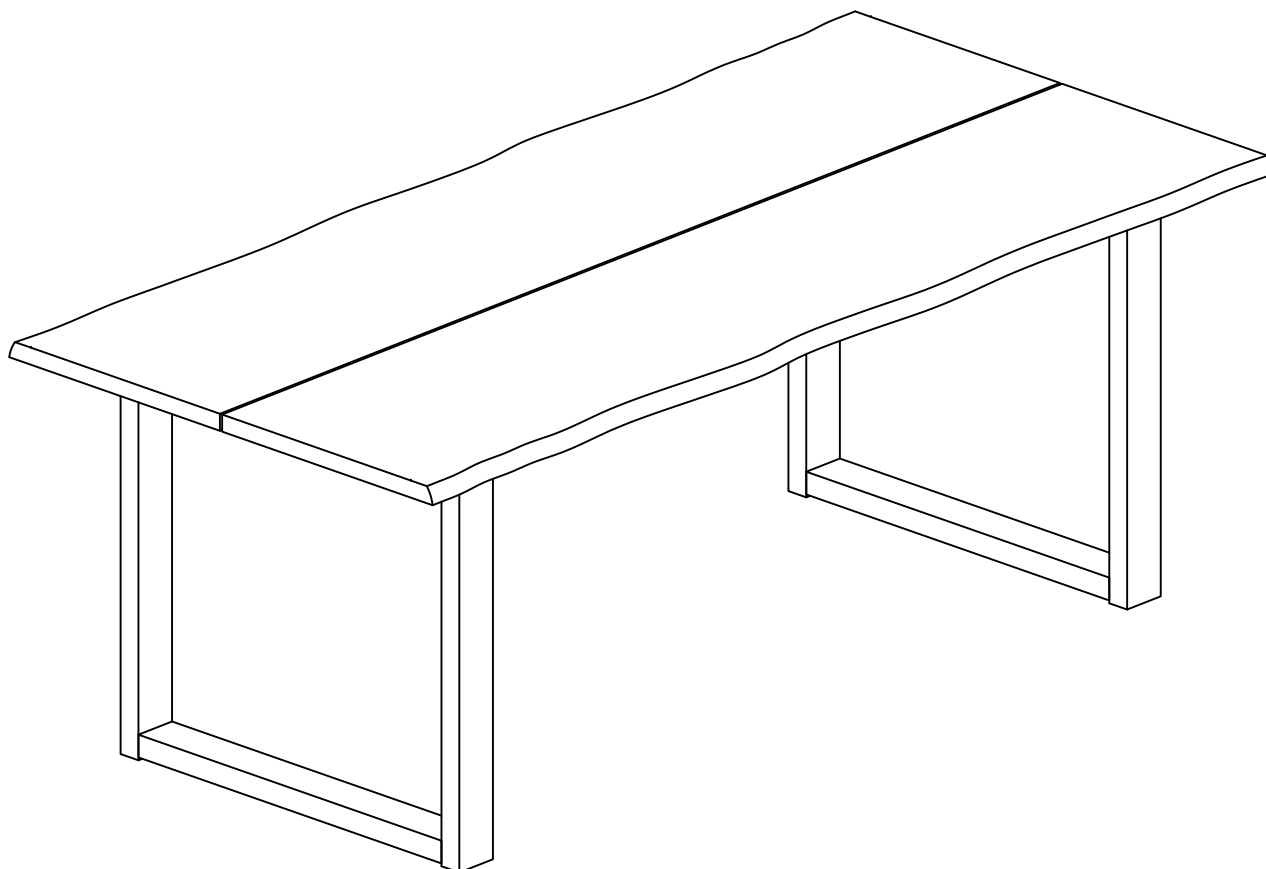
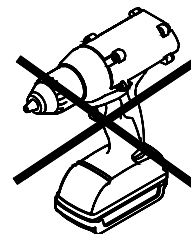


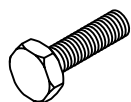
# **SOTKA**

## **TAYLOR RP 200**



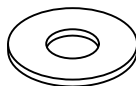


A × 16



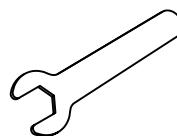
M8×20 mm

B × 16



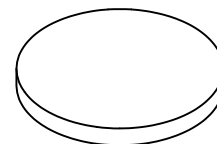
Ø19x1 mm

C × 1

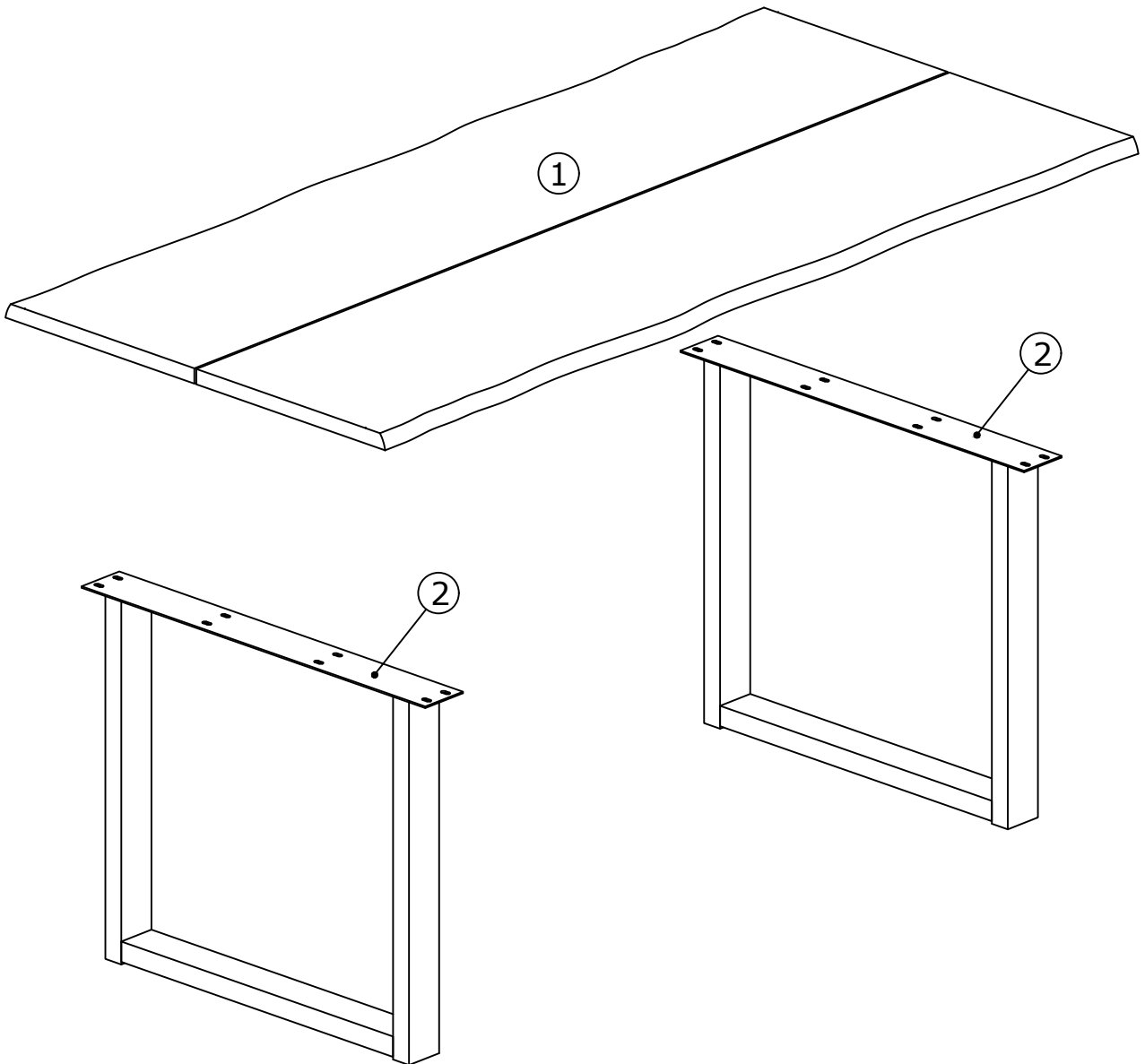


13 mm

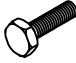


D × 4

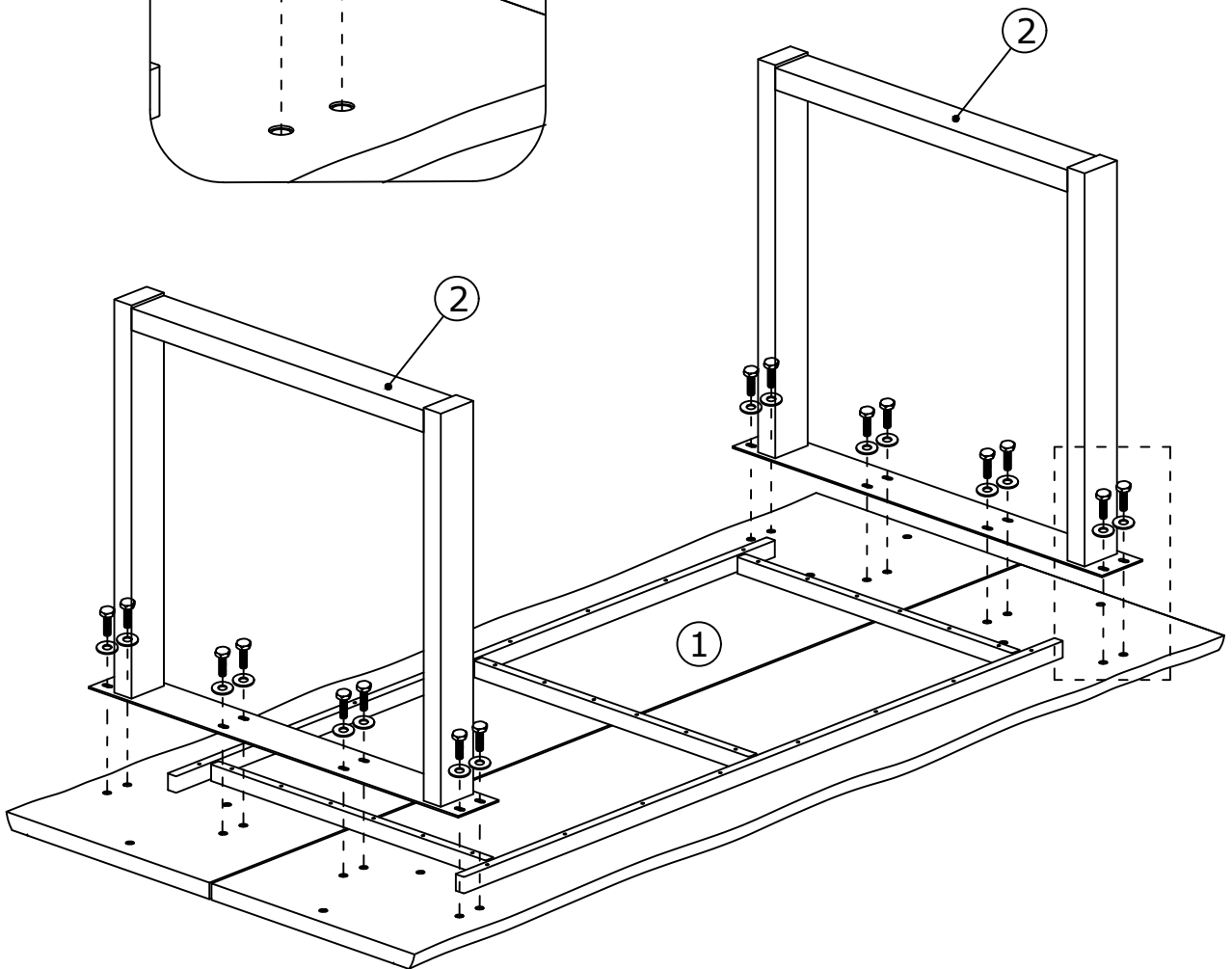
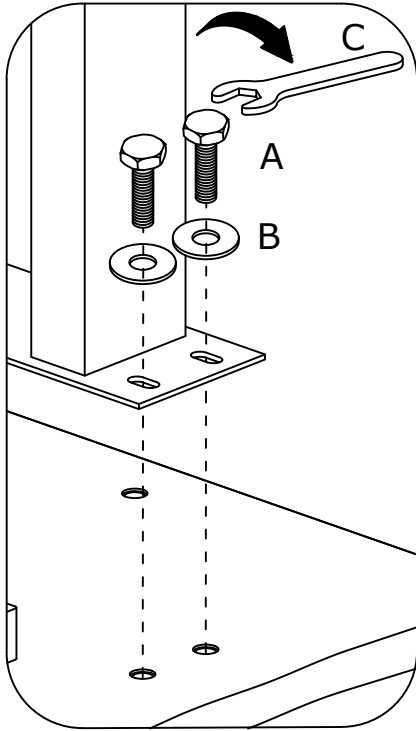


Ø35x3 mm



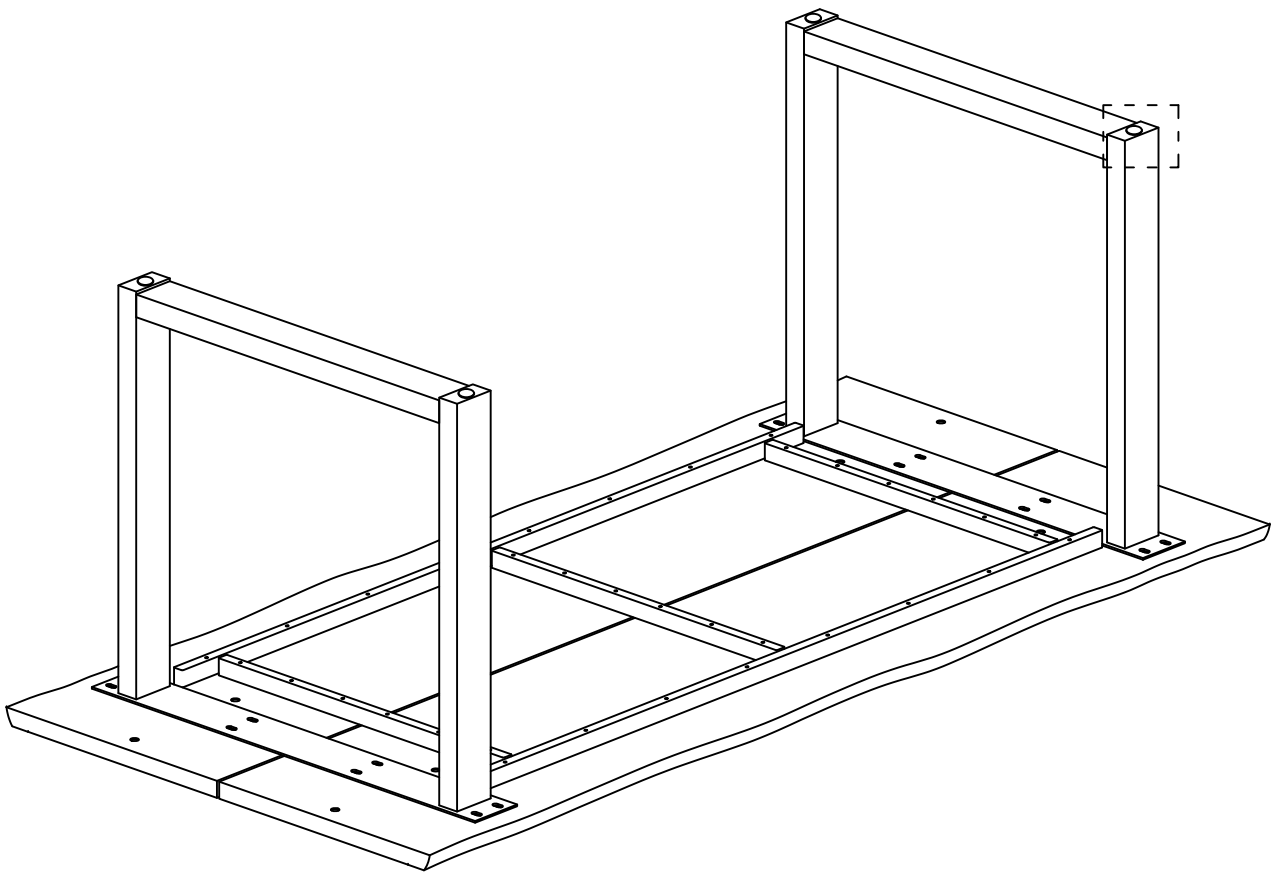
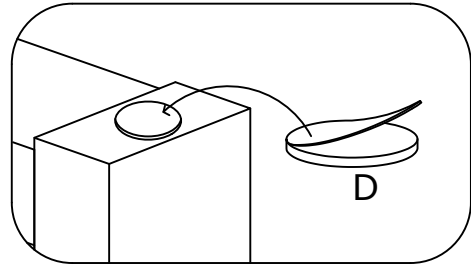
1

A × 16  M8×20 mm	B × 16  Ø19×1 mm	C × 1  13 mm	
---------------------------------------------------------------------------------------------------------	---------------------------------------------------------------------------------------------------------	-----------------------------------------------------------------------------------------------------	--



2

<p>D × 4</p>  <p>Ø35x3 mm</p>	
----------------------------------------------------------------------------------------------------------------	--



3

