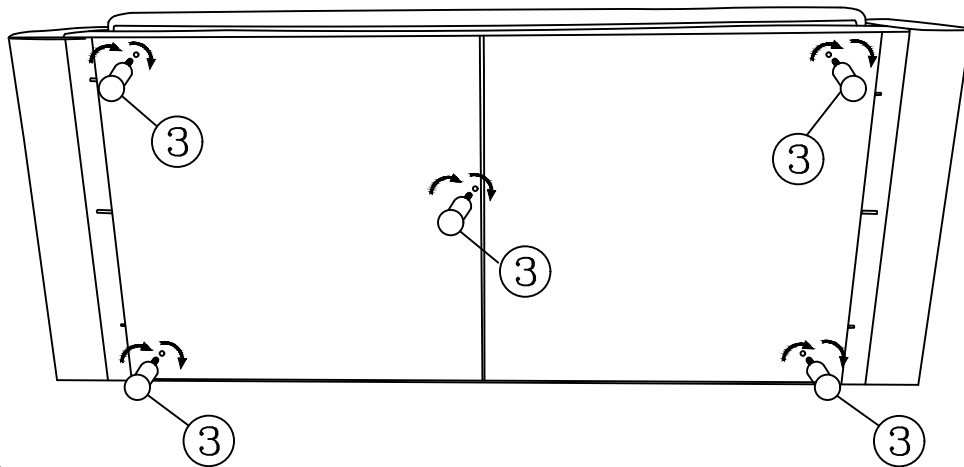
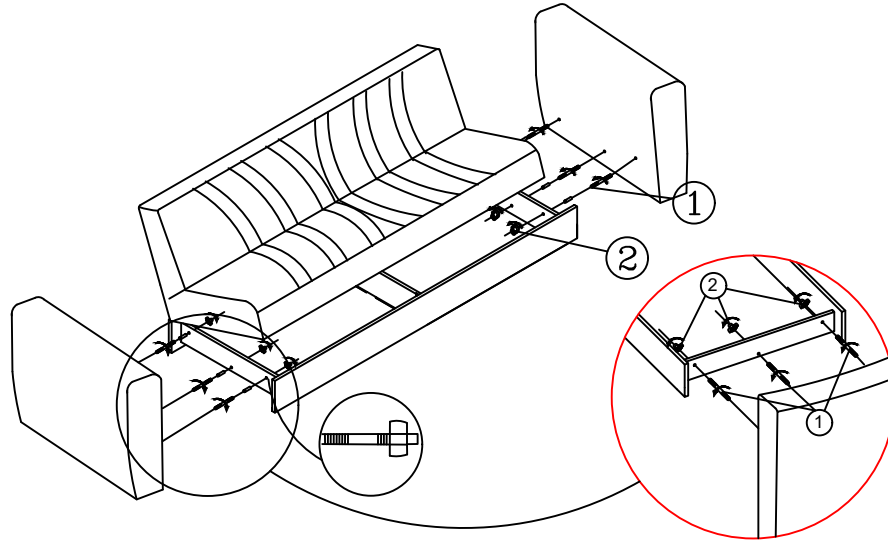


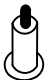


# ASSEMBLY INSTRUCTION

## JAX SOFA



### ACCESSORIES

- |   |   |                    |
|---|---|--------------------|
| ① |  | PIN M8 6 PCS       |
| ② |  | BUTTERFLY M8 6 PCS |
| ③ |  | SOFA LEG (5 PCS)   |