

Attention:Don't tighten the screw before all screws are in place

USER'S MANUAL

1811802-81

1811802-82 **SOFA**

Hardware List

A



(4pcs)

B



(4pcs)

C



(4pcs)

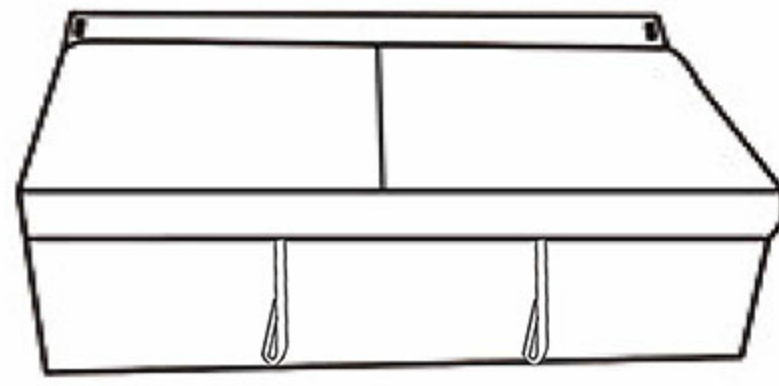
Panel List

①



*1

②



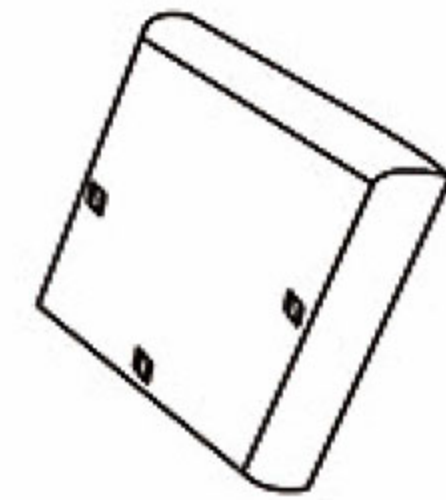
*1

③



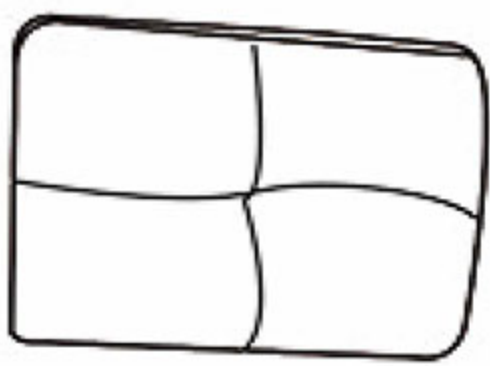
*1

④



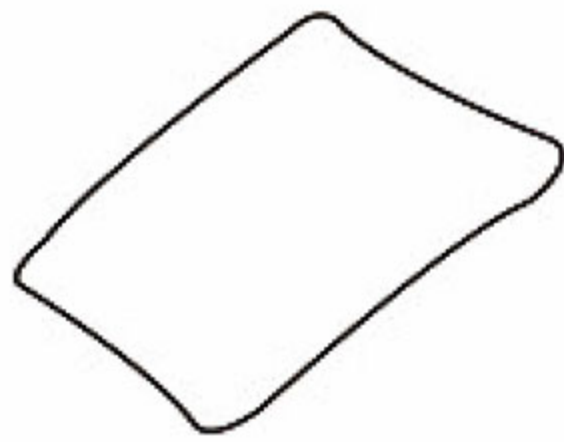
*1

⑤



*3

⑥



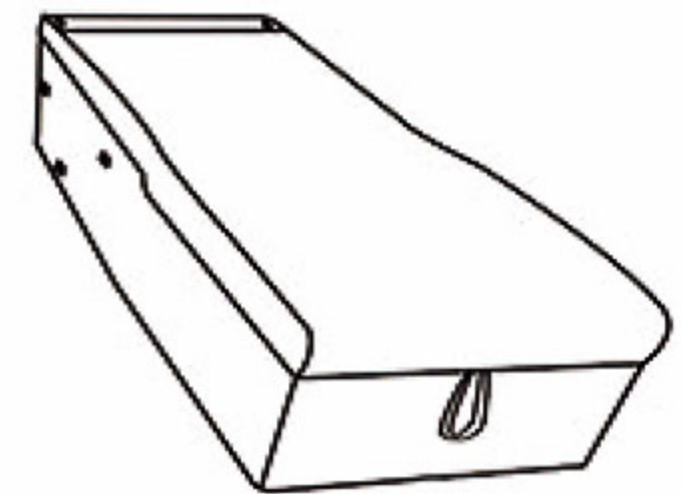
*2

⑦



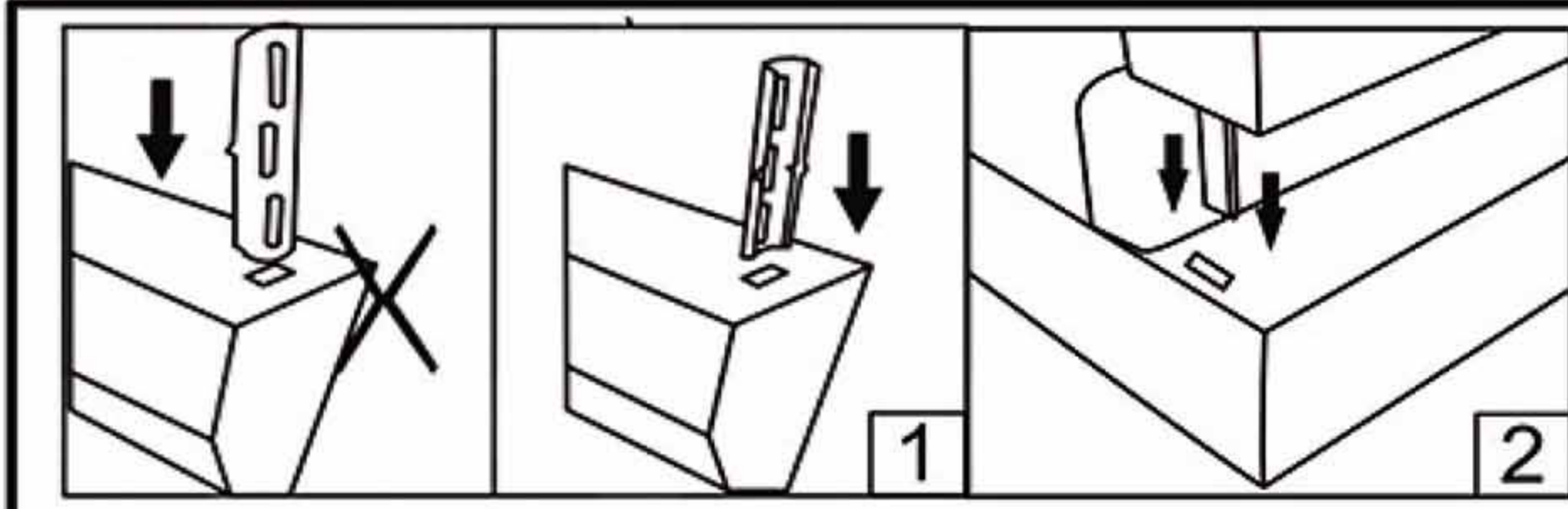
*1

⑧



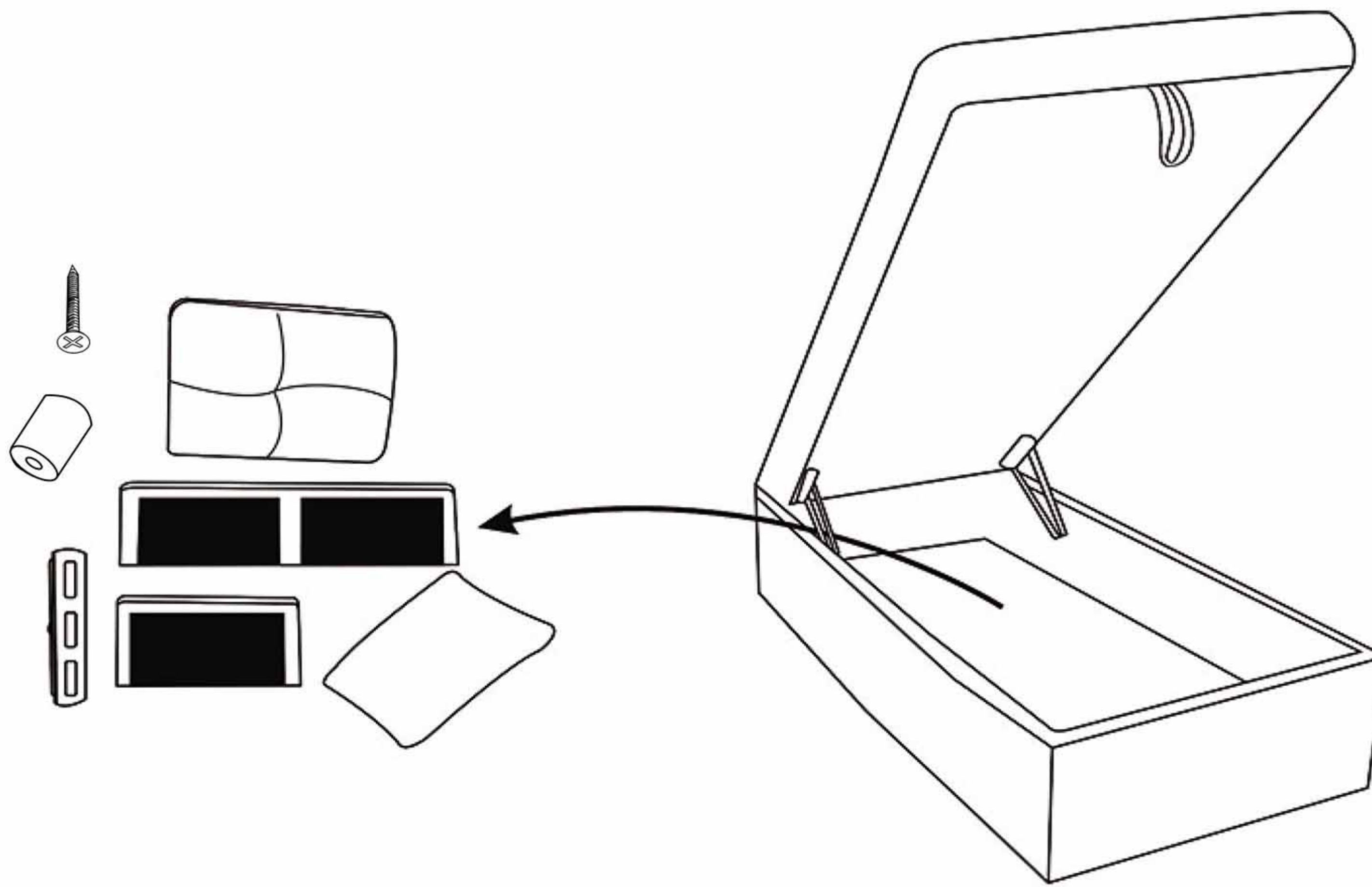
*1

Assembling the unit with camlocks and wood dowels

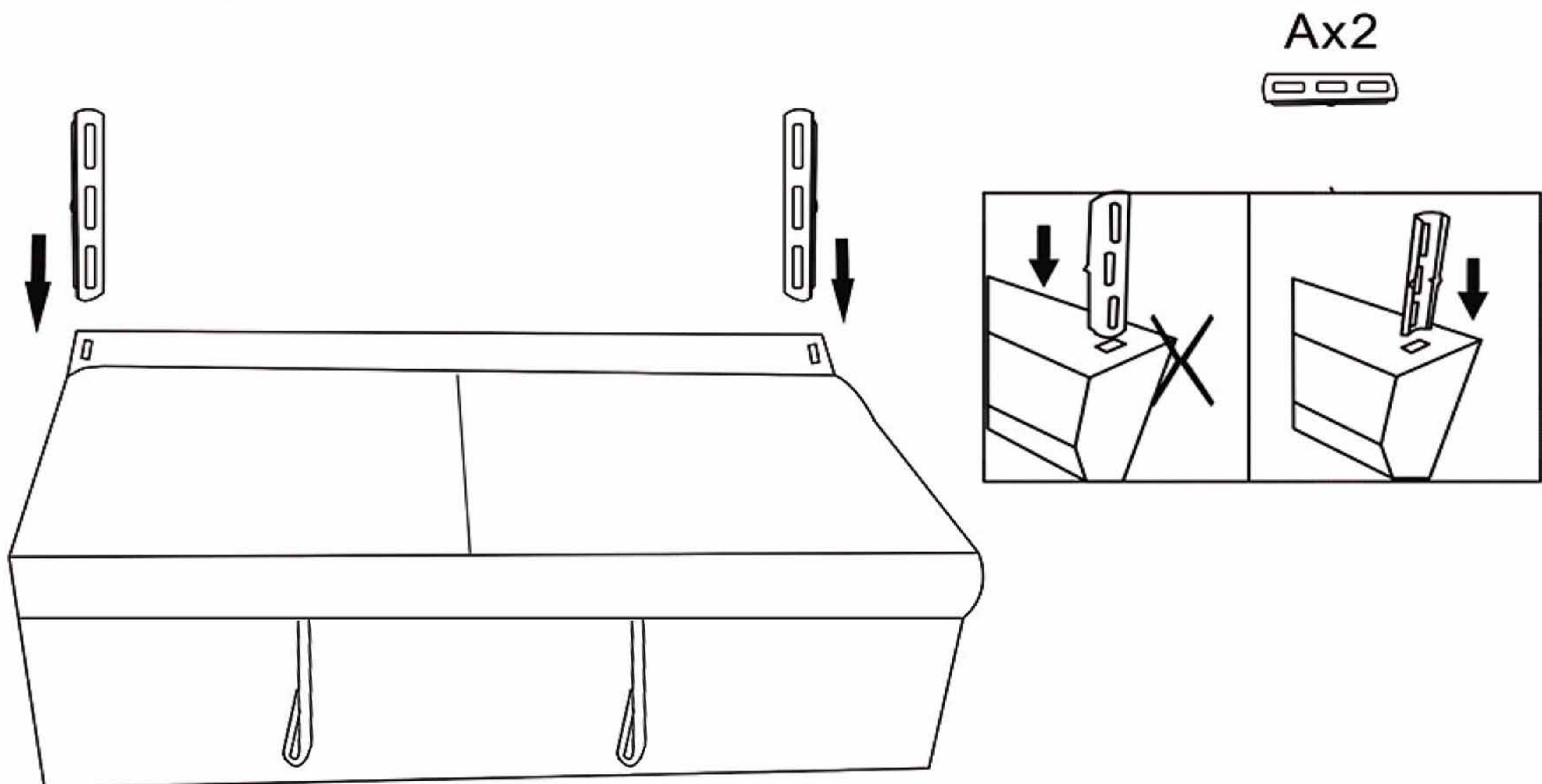


Assembly instructions

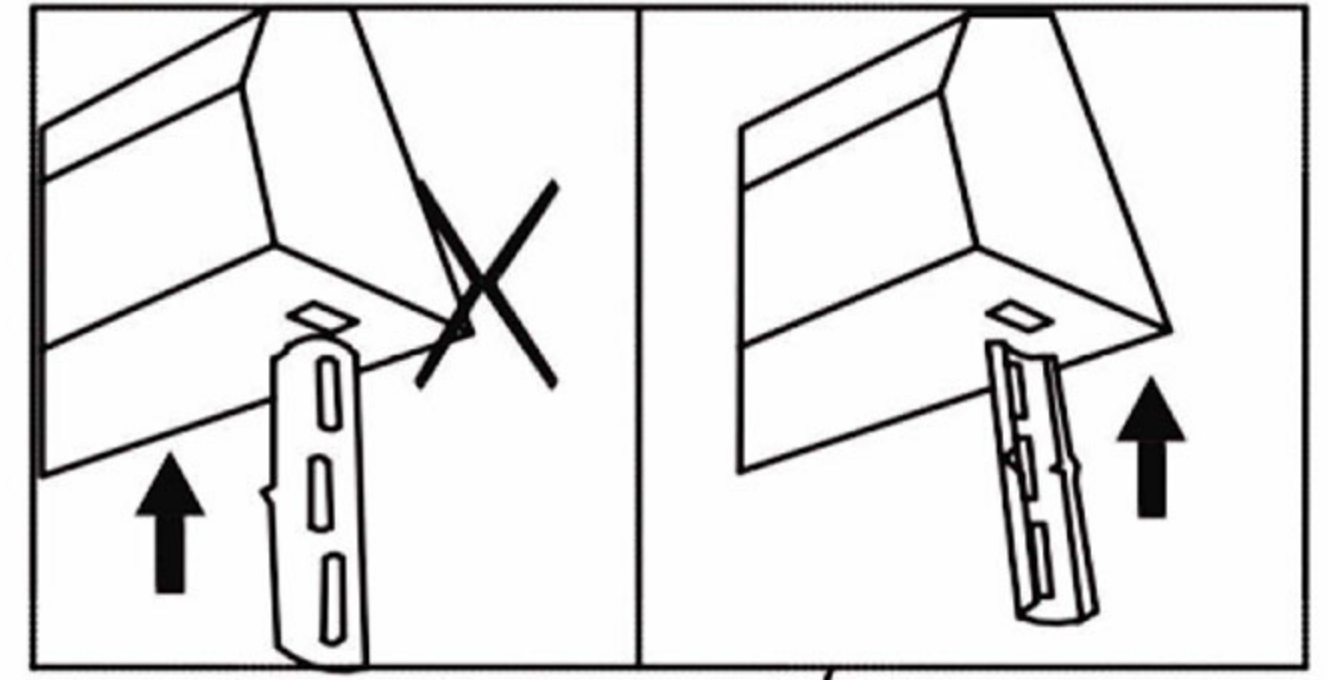
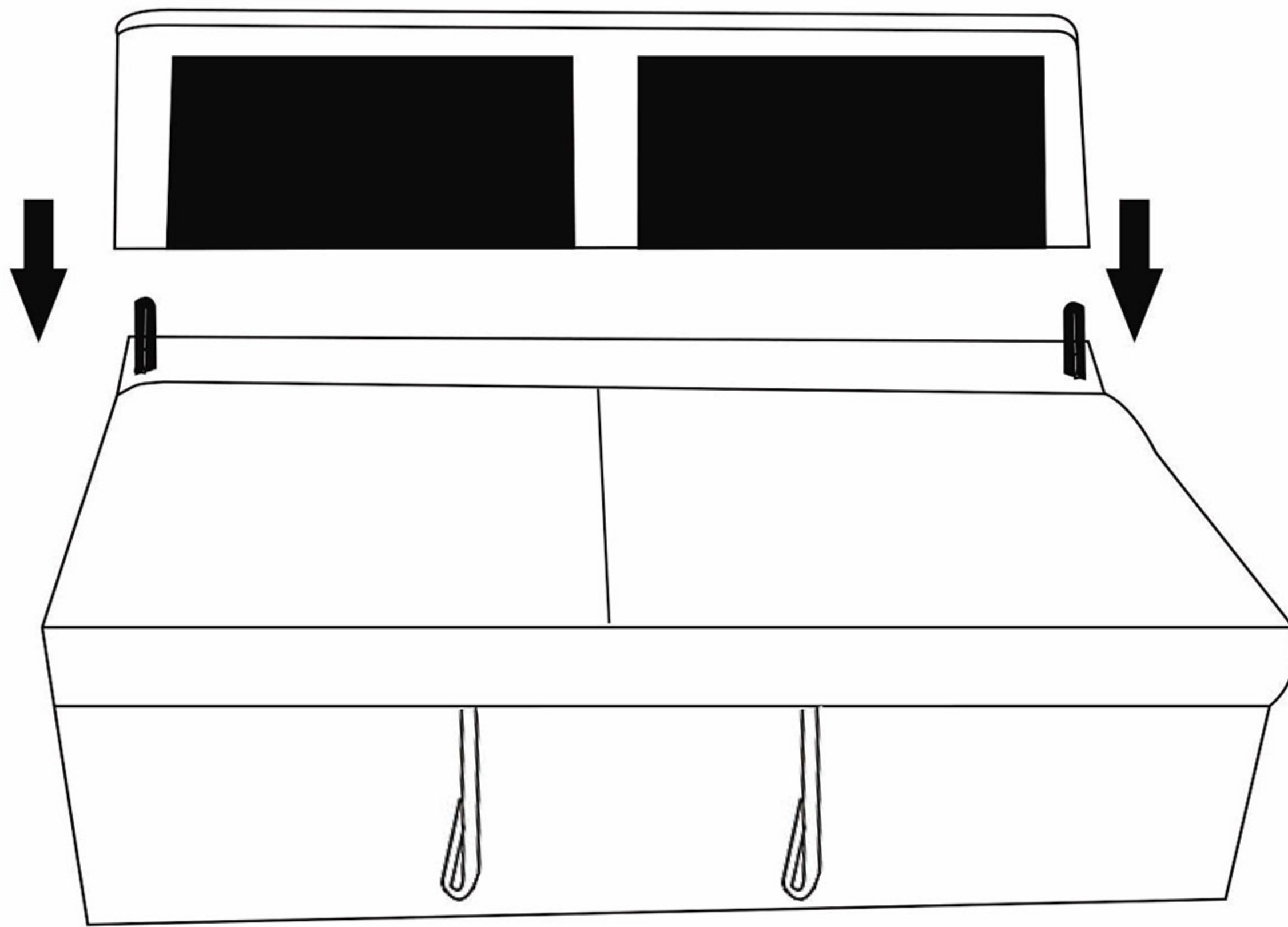
Step 1



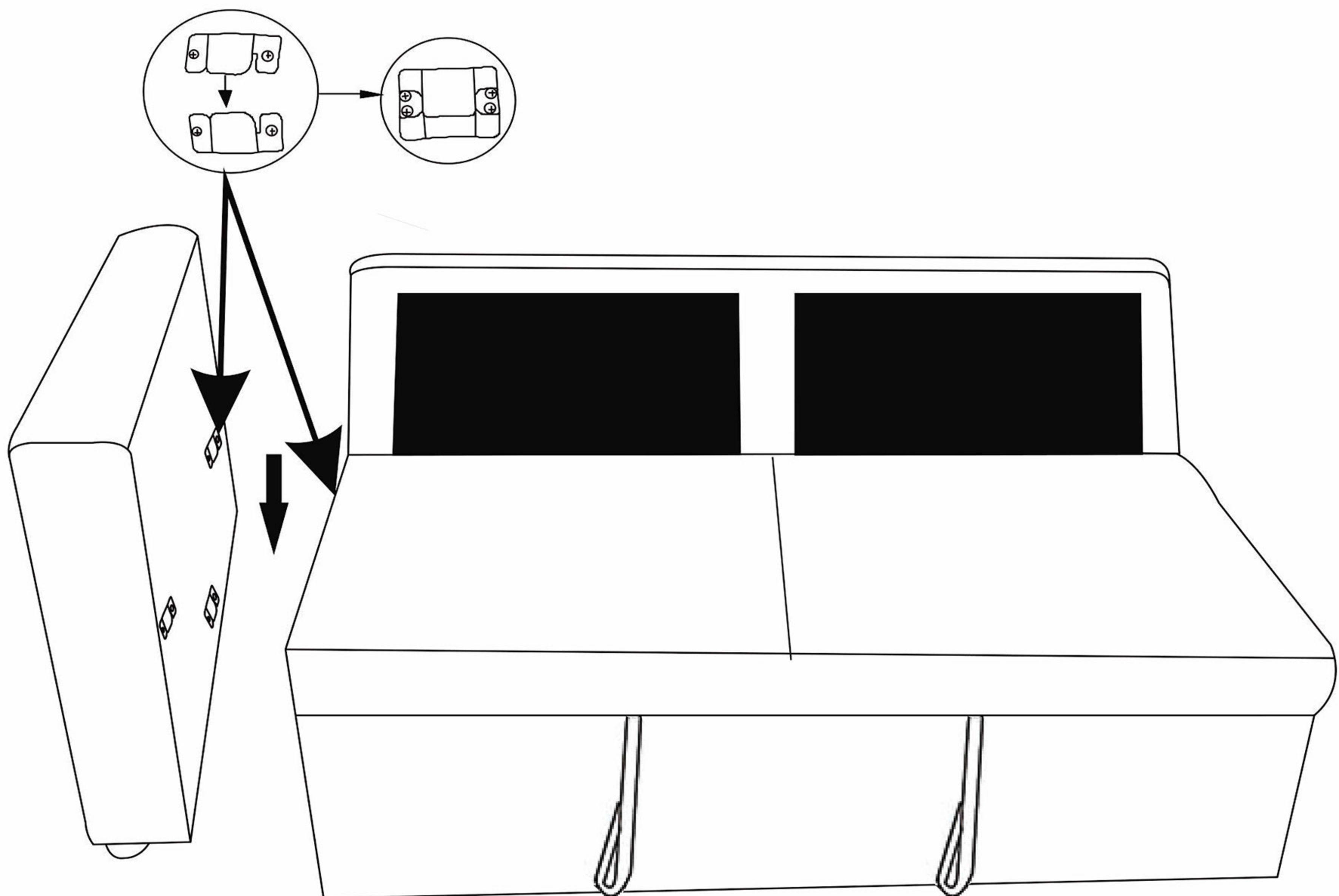
Step 2



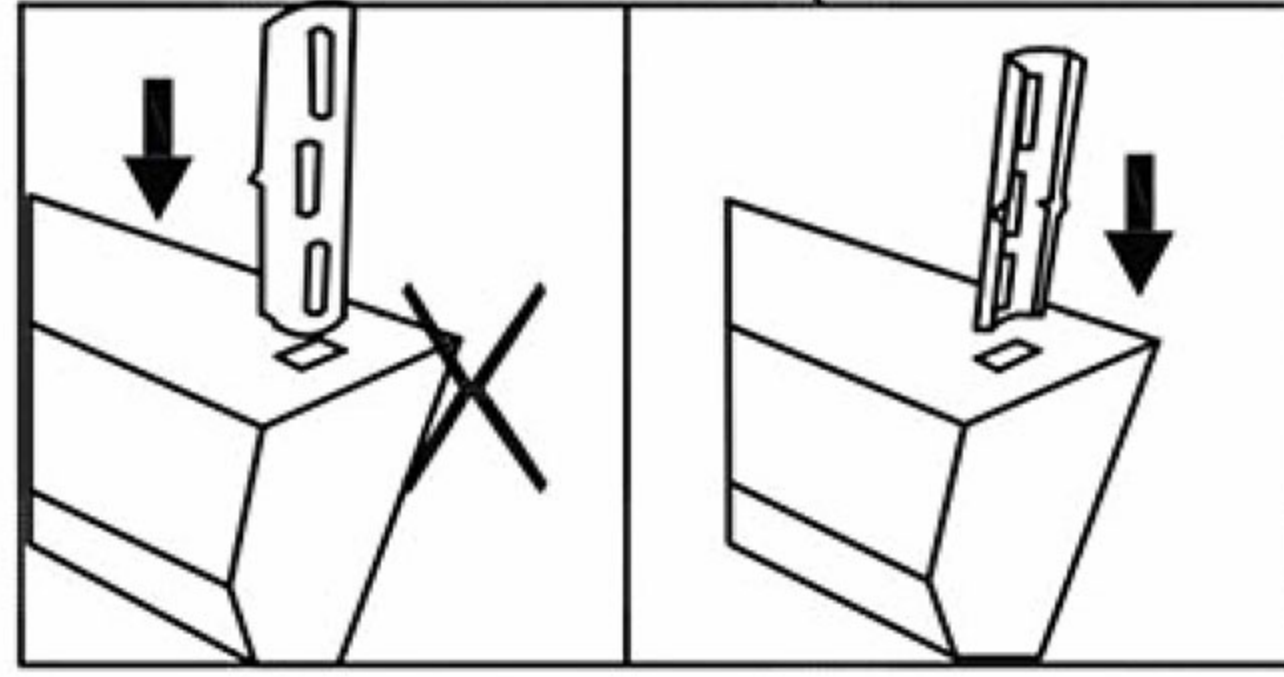
Step 3



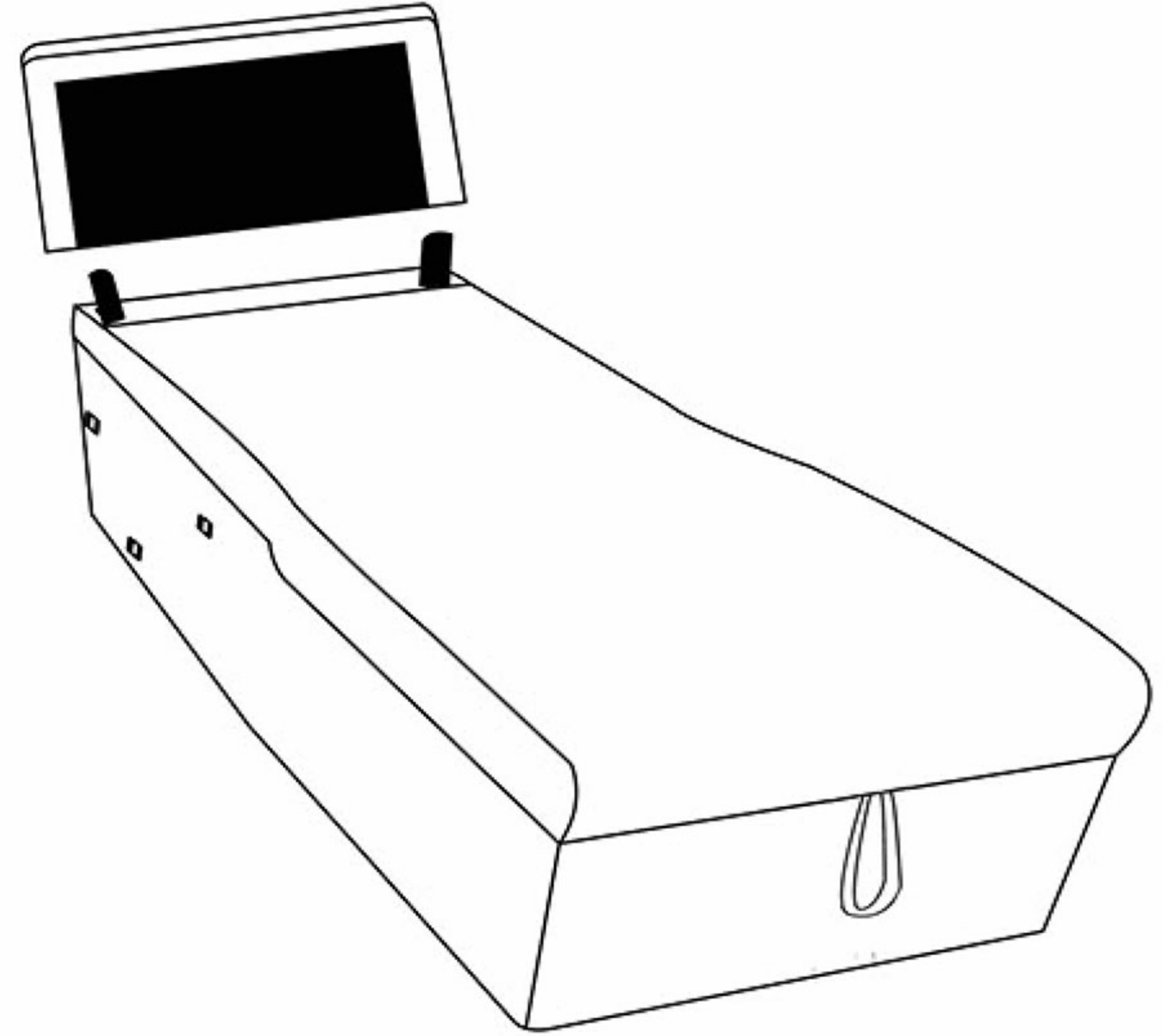
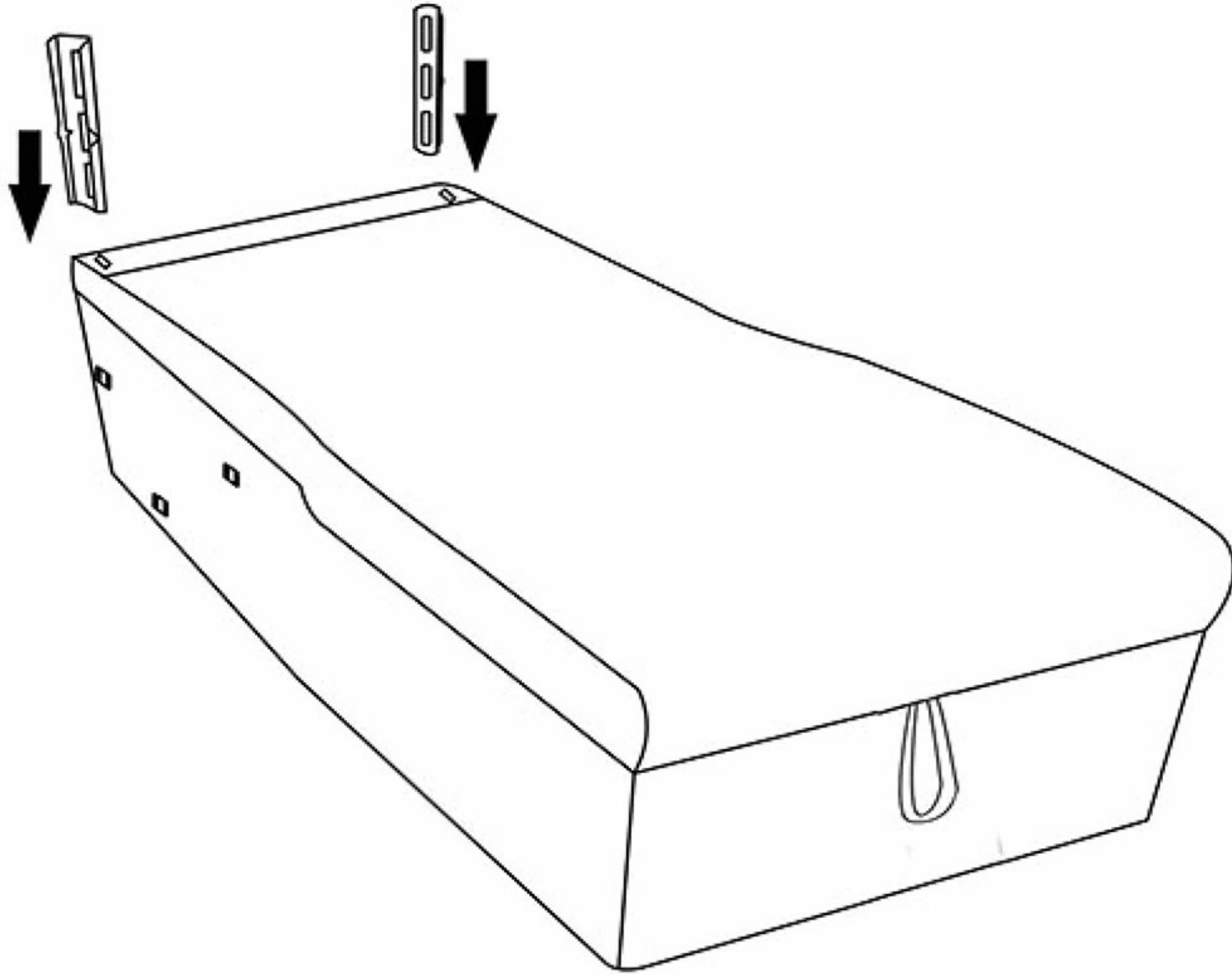
Step 4



Step 5



Ax2



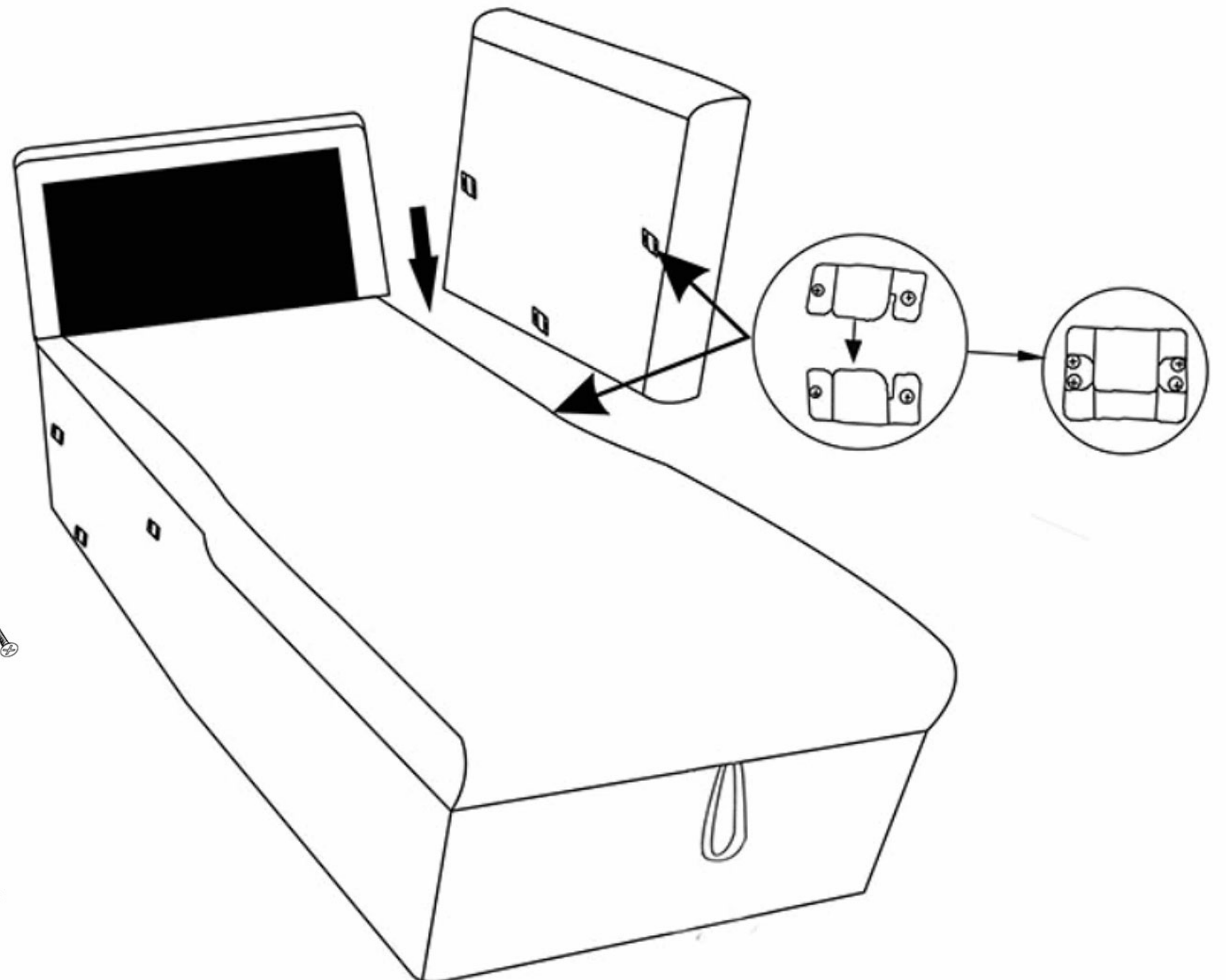
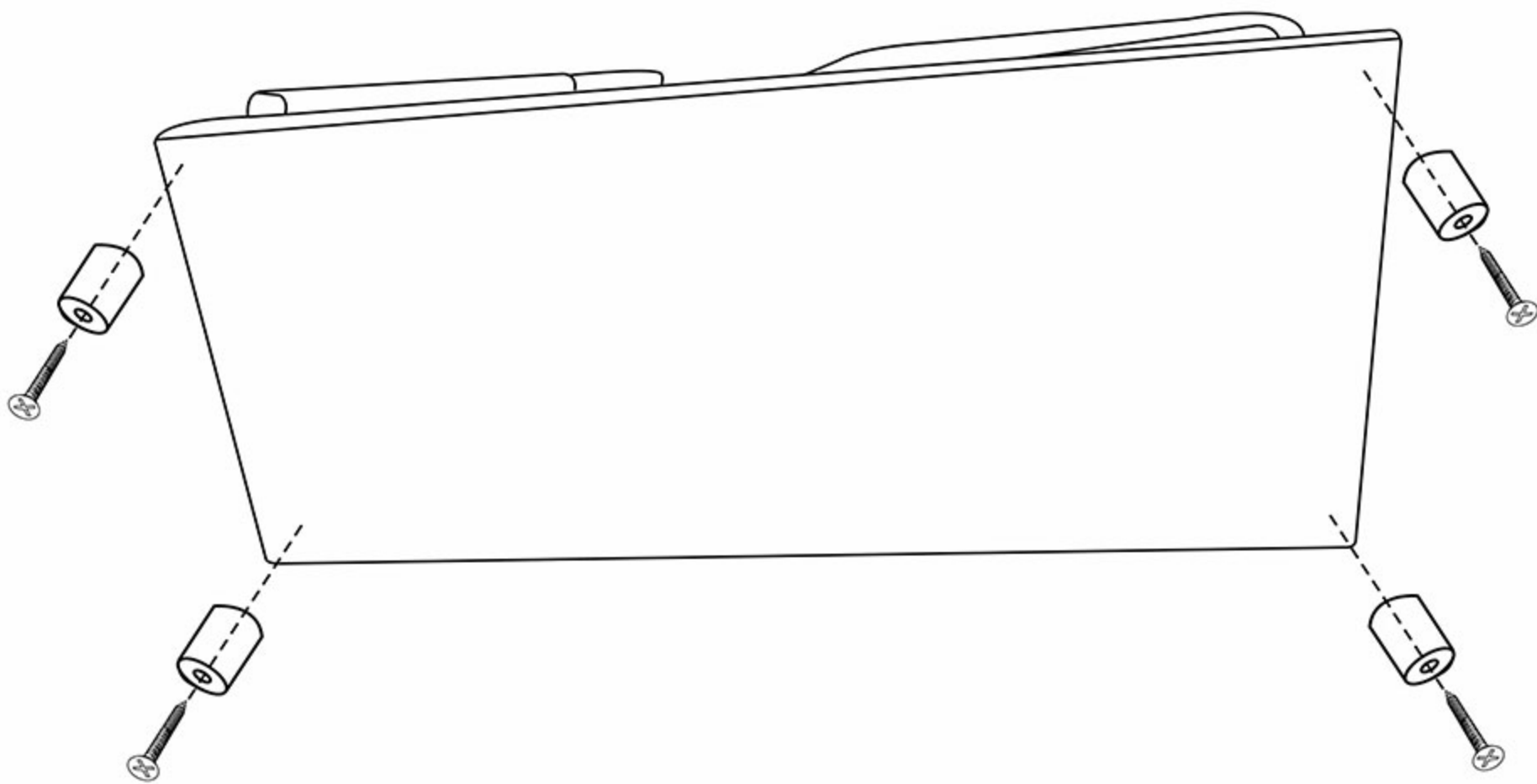
Step 6



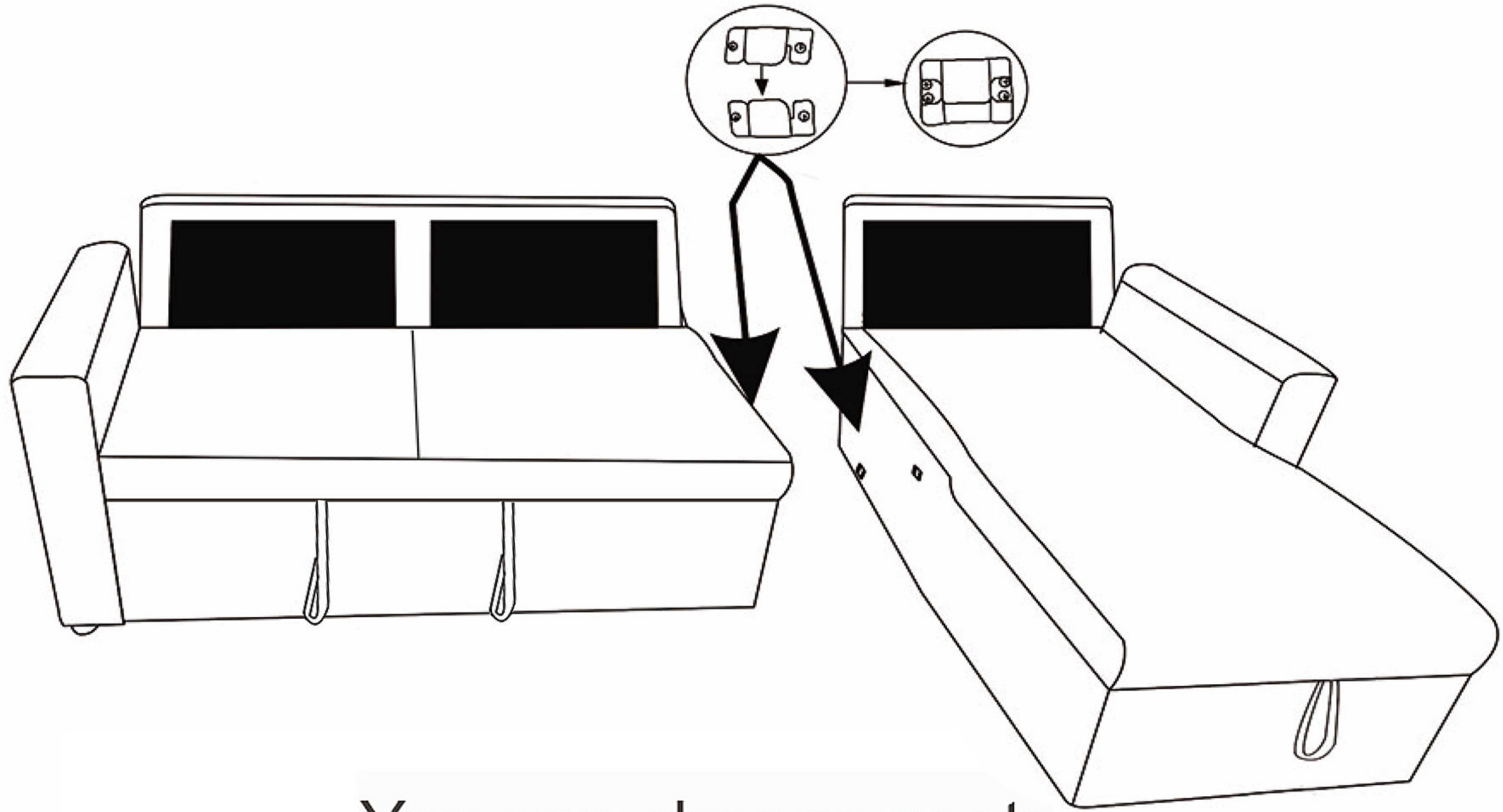
Bx4



Cx4

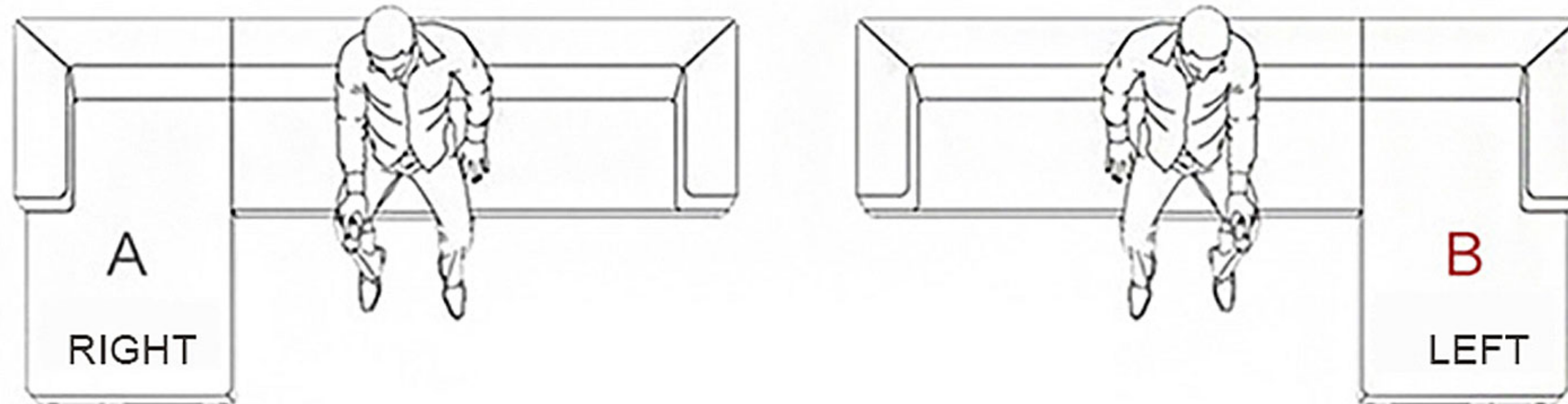


Step 7

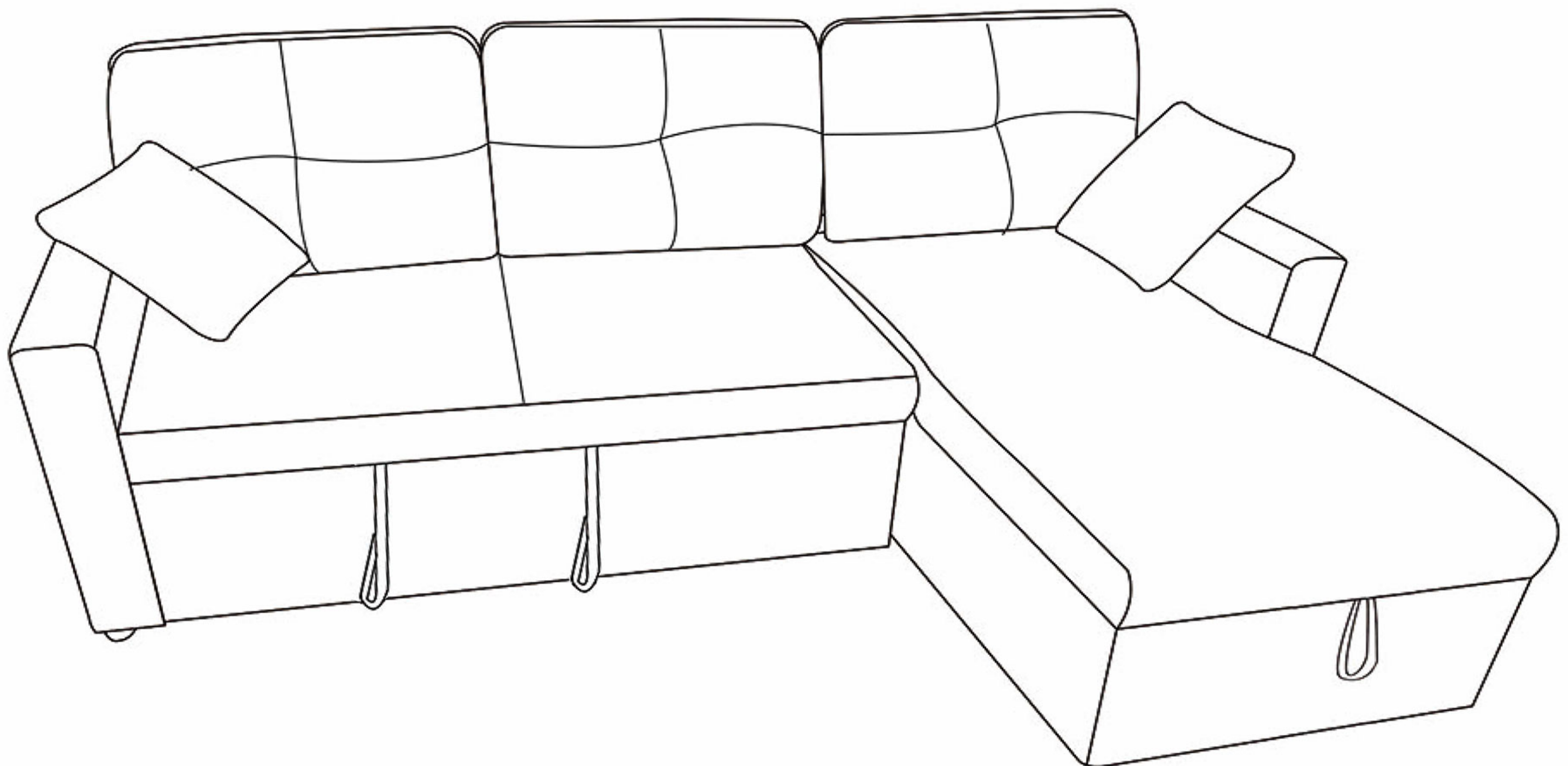


You can change seats

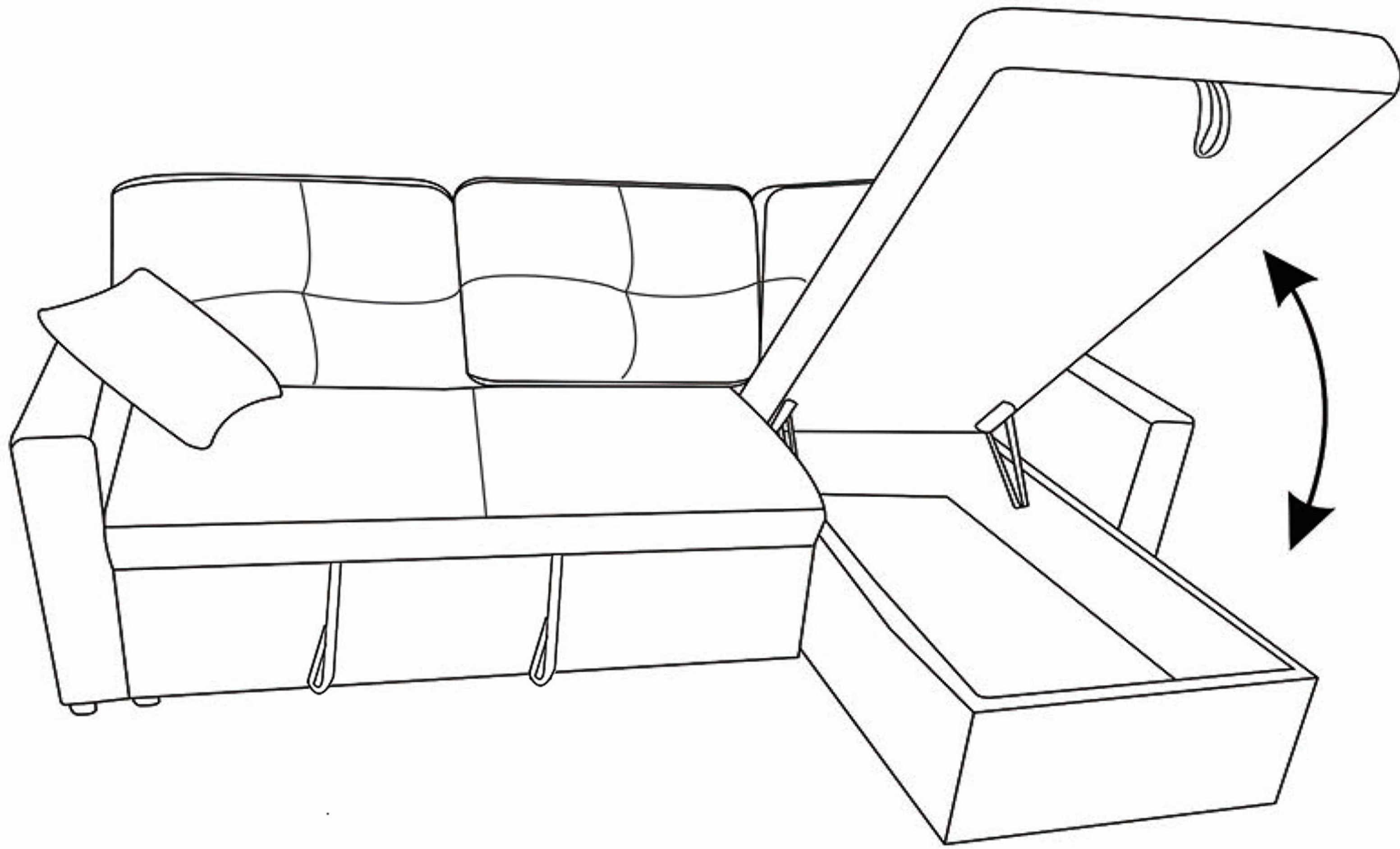
RIGHT or LEFT



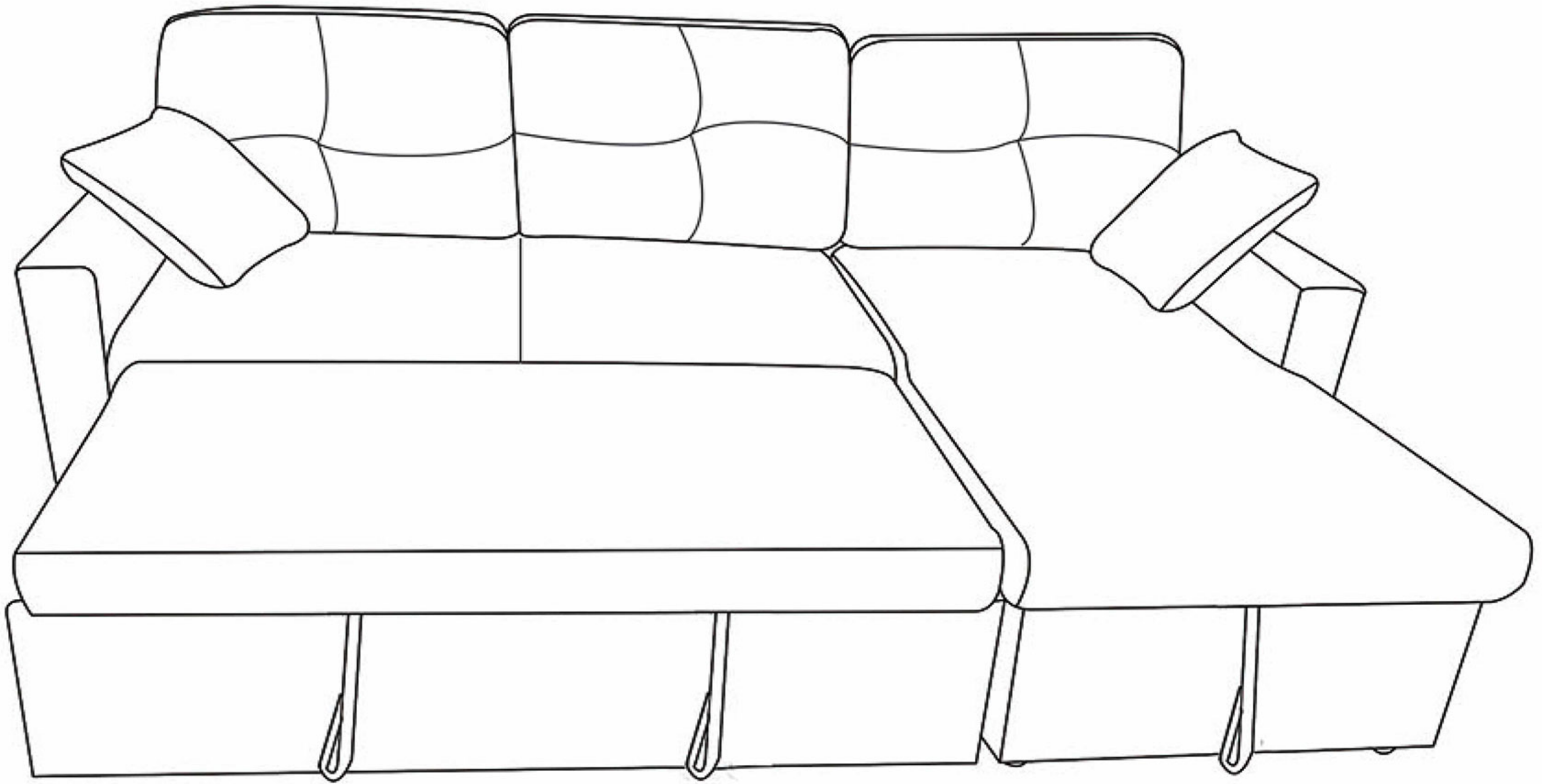
Step 8



Step 9



Step 10



Note:

The extended part of the sofa bed can be adjusted according to the direction of the arrow in the figure, up is tight, down is loose

Tight step:

- 1.Lift up lightly to remove the extend one with the wheel
- 2.Loosen the screws on the metal frame
3. Move the metal frame in the upward direction as shown in the figure
- 4.Tighten the screws and reinstall the extend

Loose step same just the down direction

